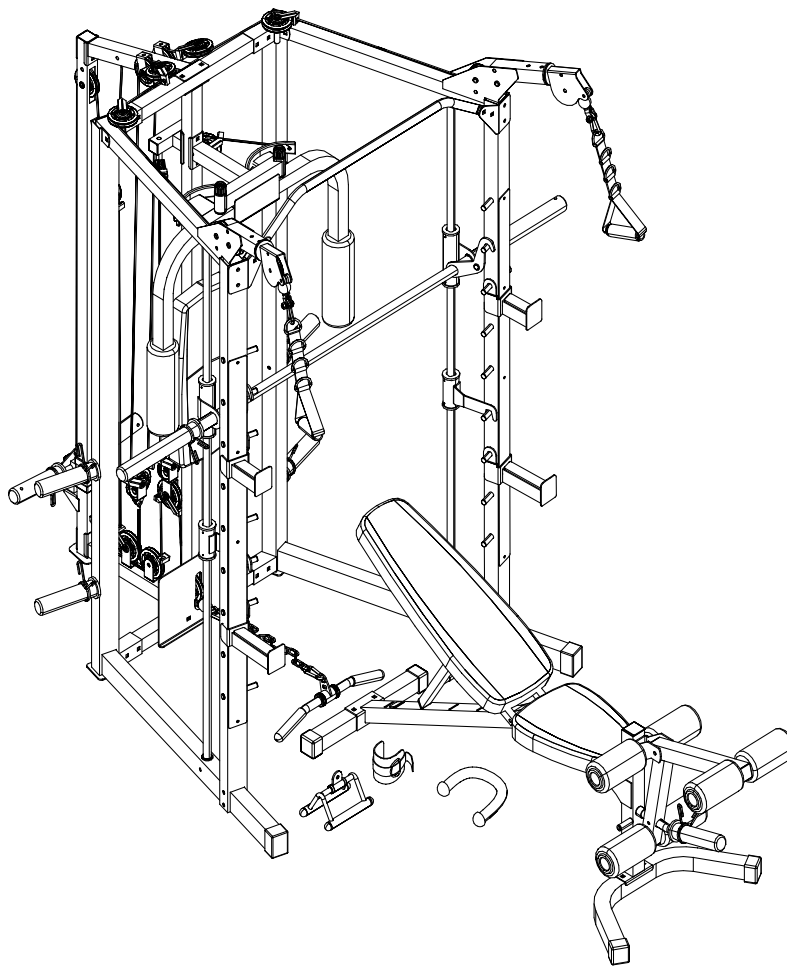


# MARCY<sup>®</sup>

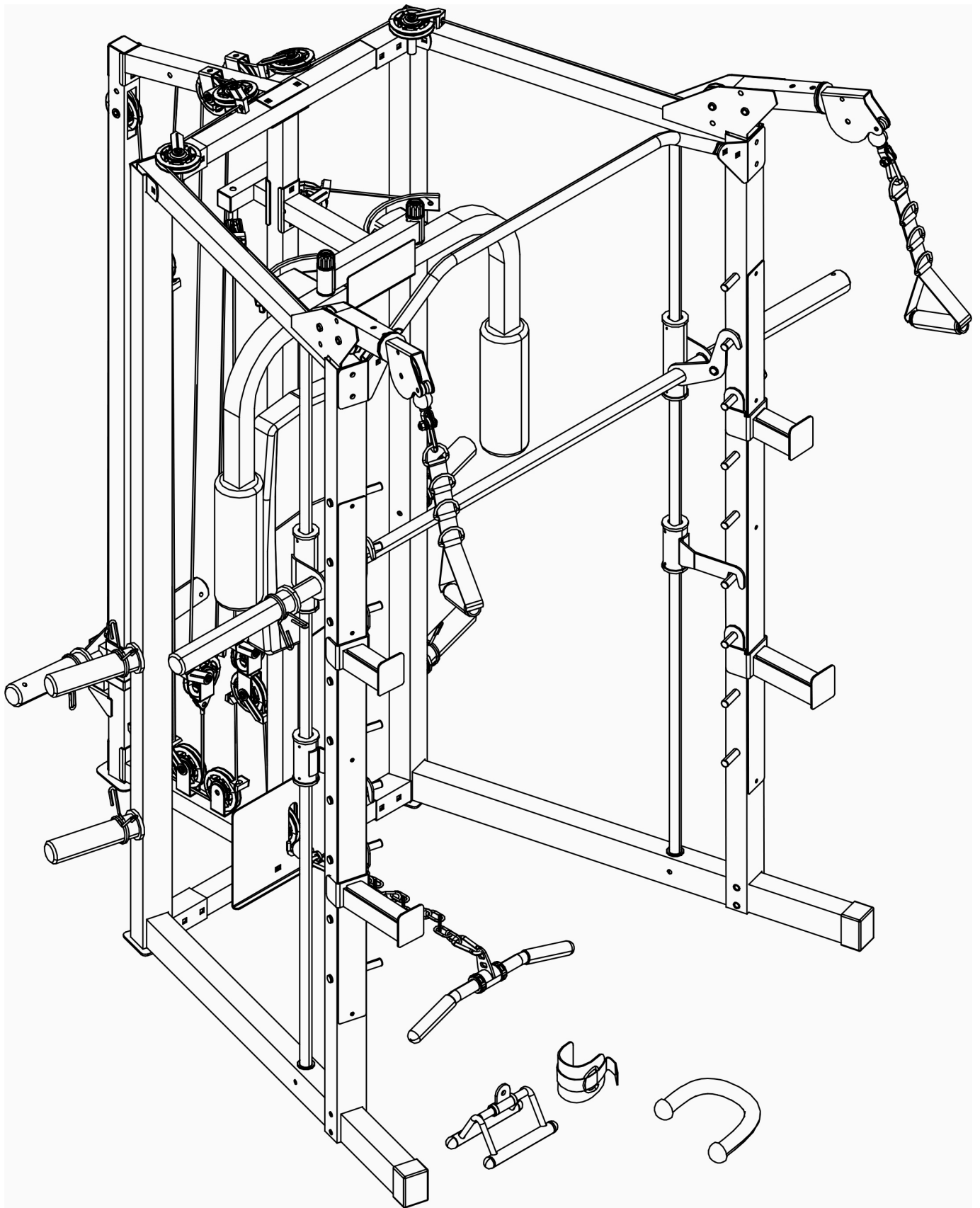
## MARCY PRO SMITH MACHINE SM-5276

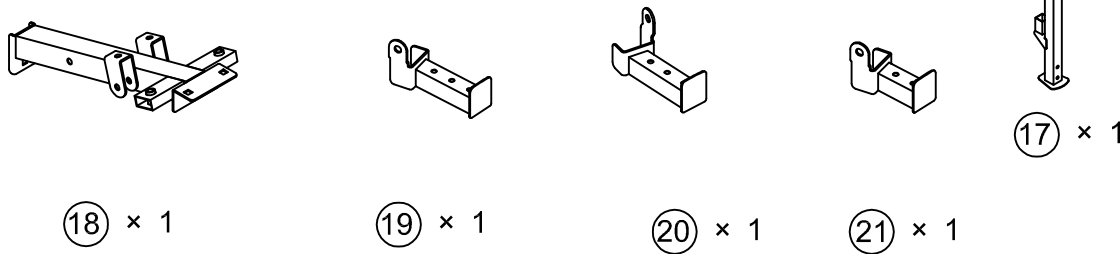
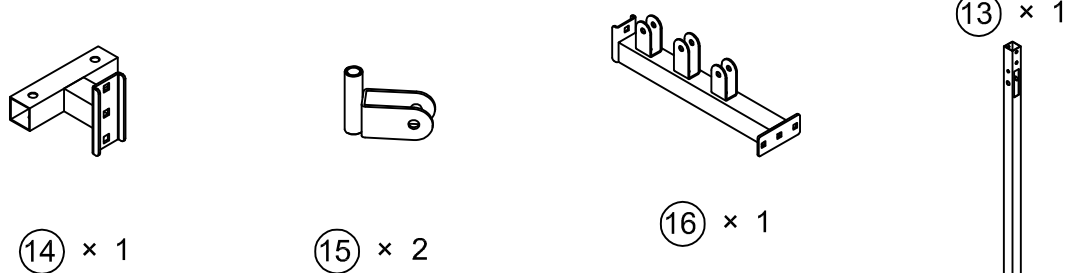
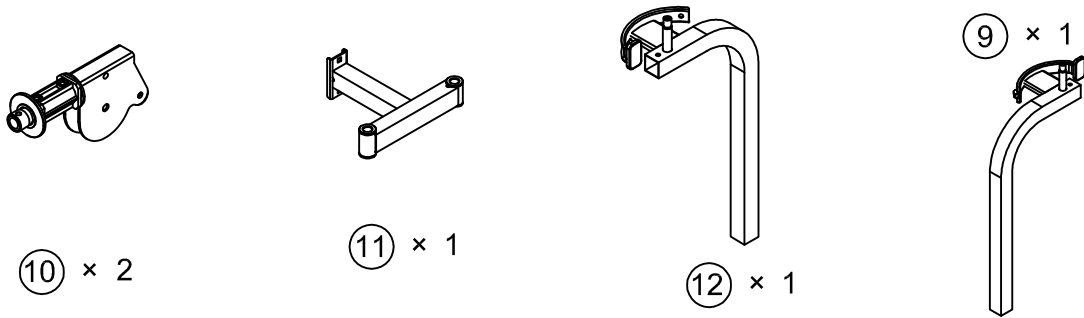
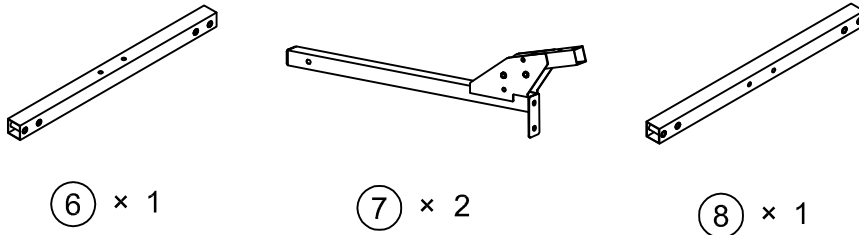
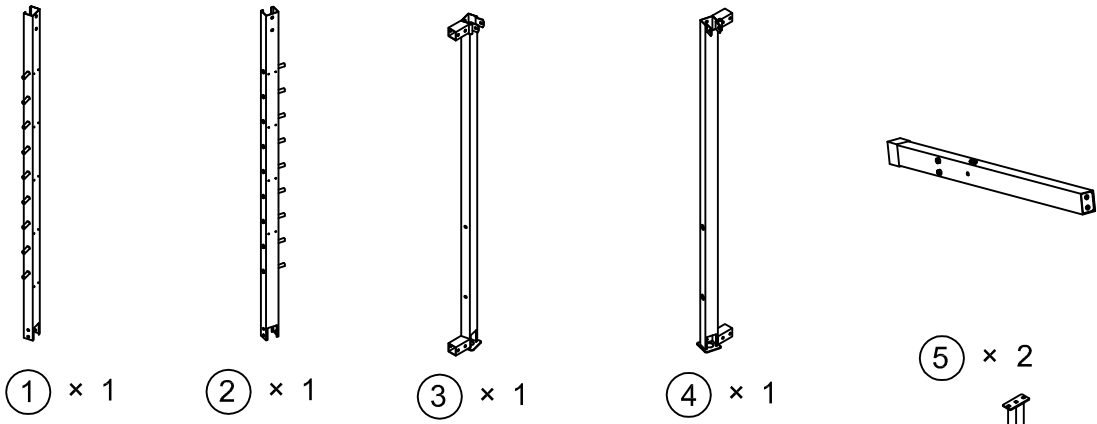


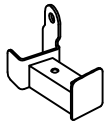
**IMPORTANT:** Please read the Important Safety Notice and Assembly Information in the Owner's manual before assembling this product.

**Assembly Manual**

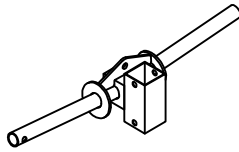
170701







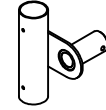
22 x 1



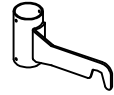
23 x 1



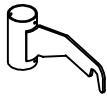
24 x 2



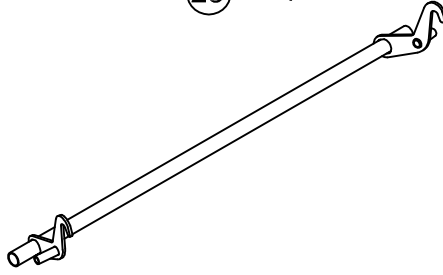
25 x 2



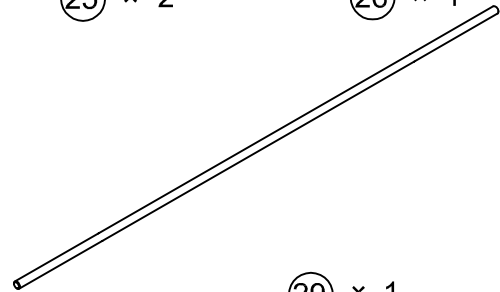
26 x 1



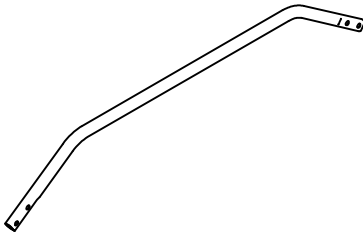
27 x 1



28 x 1



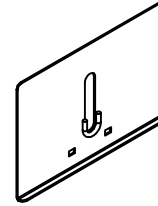
29 x 1



30 x 1



31 x 1



32 x 1



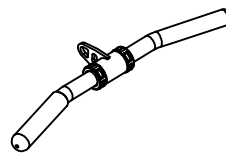
33 x 2



34 x 1

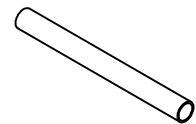


36 x 2

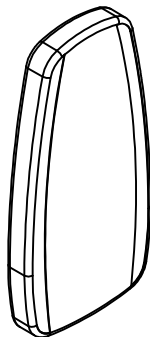


37 x 1

54 x 1



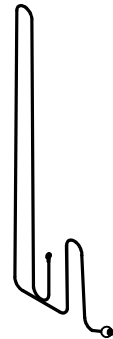
38 x 4



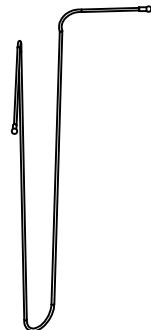
39 x 1



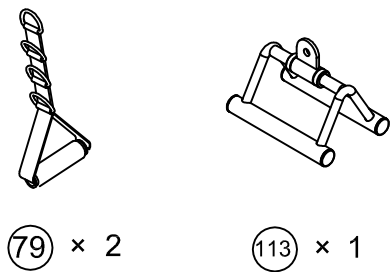
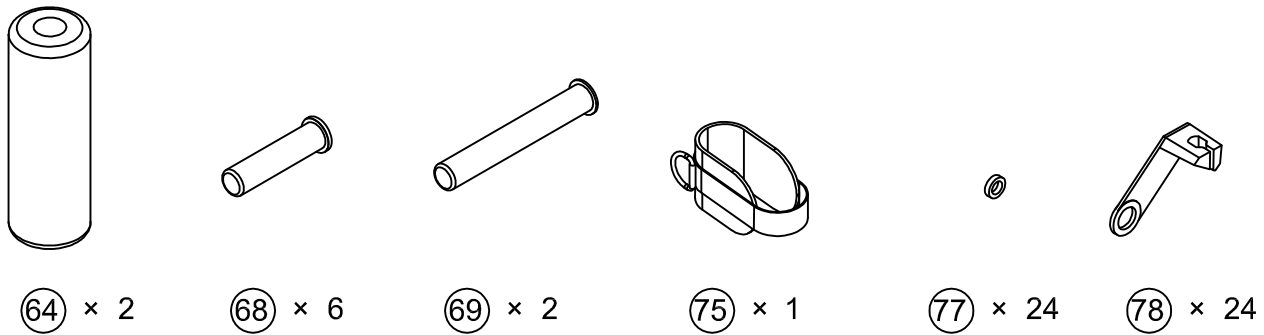
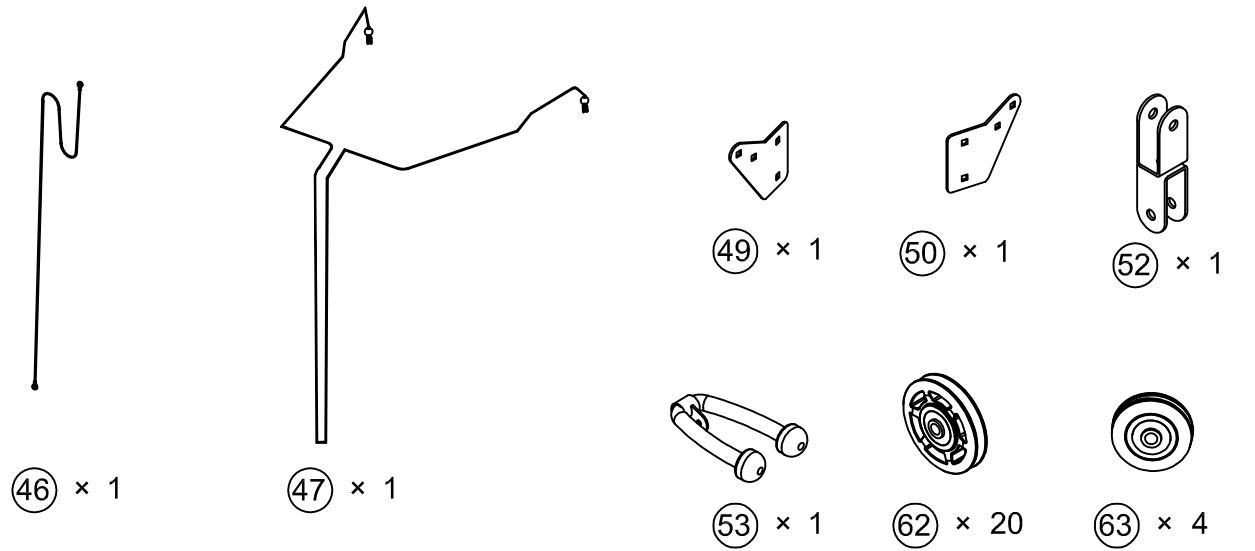
42 x 2

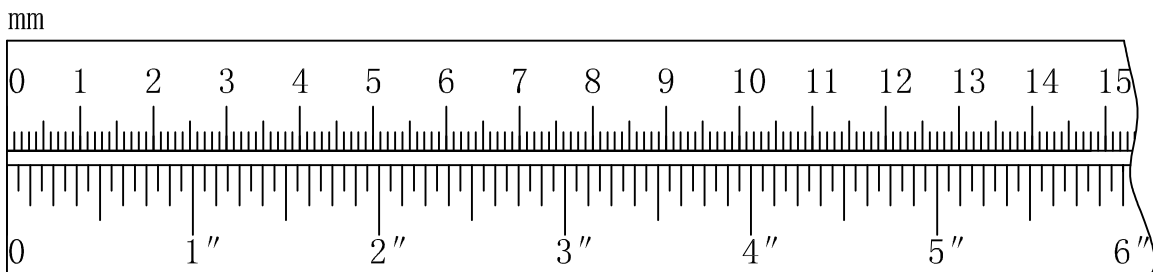
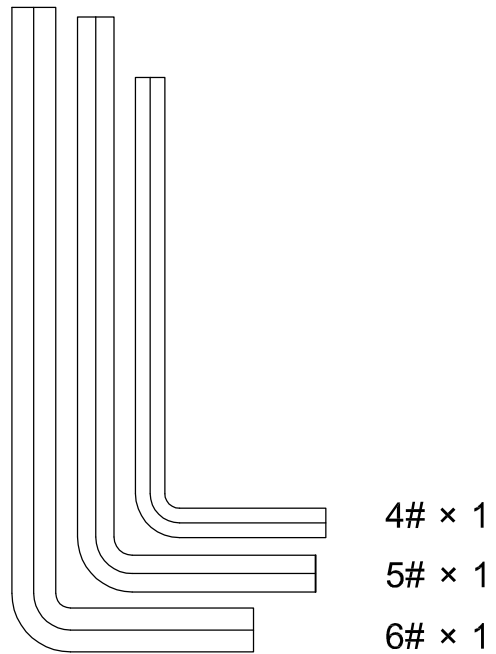
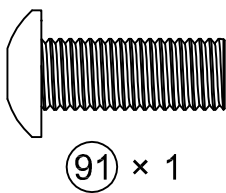
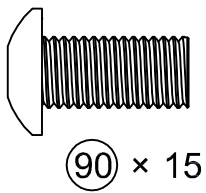
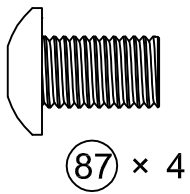
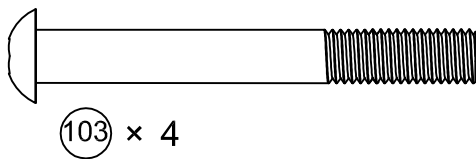
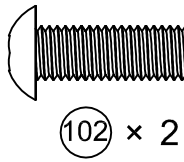
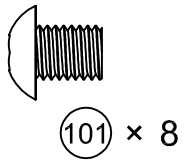
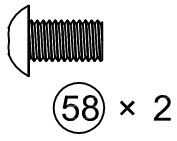


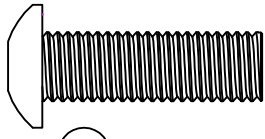
44 x 1



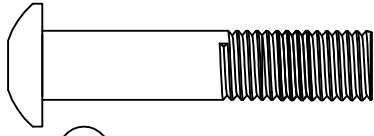
45 x 1



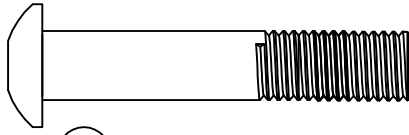




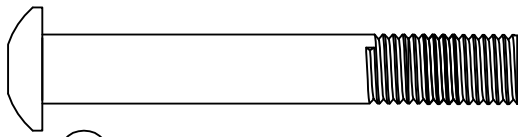
92 × 2



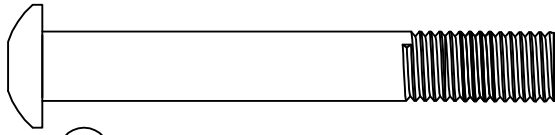
93 × 4



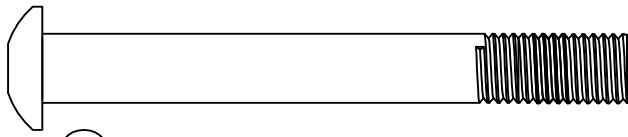
94 × 10



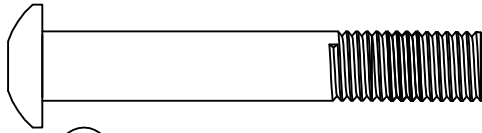
95 × 12



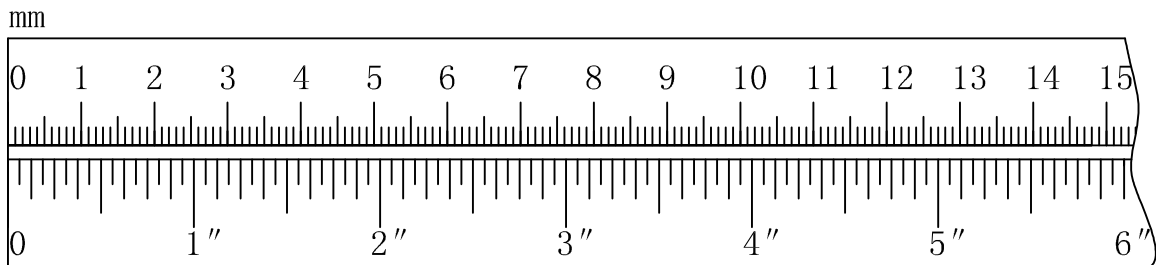
97 × 6

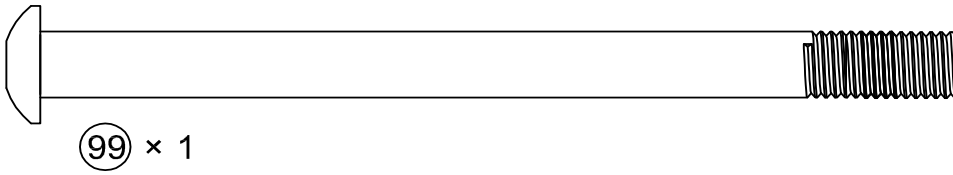


98 × 4

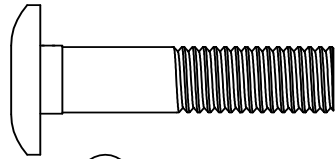


118 × 1

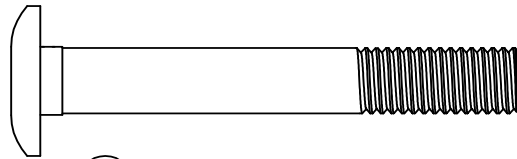




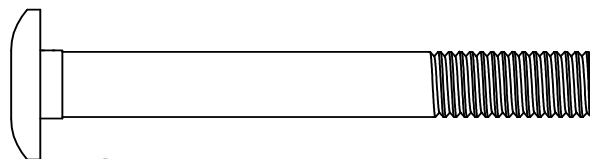
⑨⑨ × 1



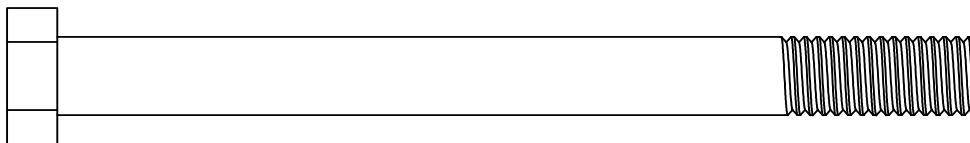
⑧⑥ × 4



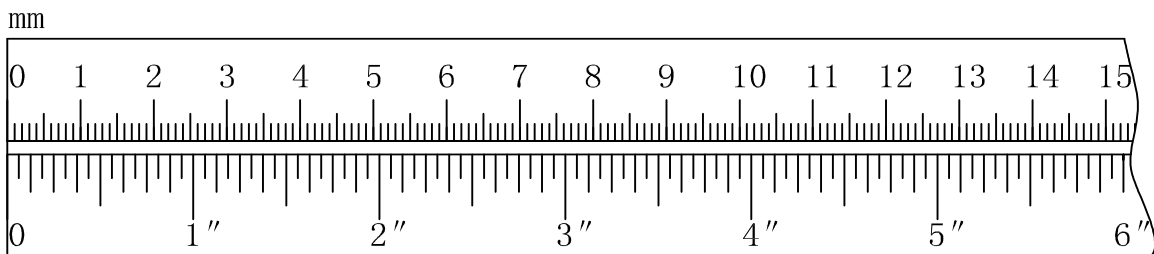
⑧⑧ × 8



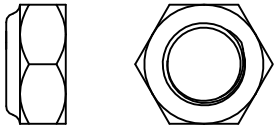
⑧⑨ × 2



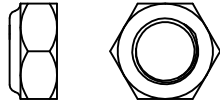
⑩⑩ × 2



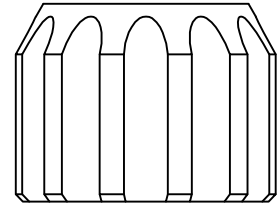




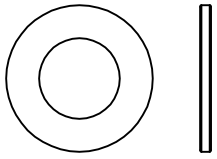
①110 × 52



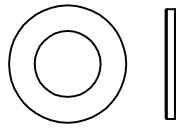
①109 × 4



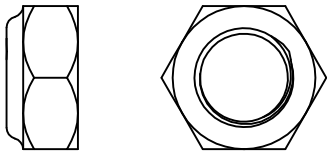
③35 × 2



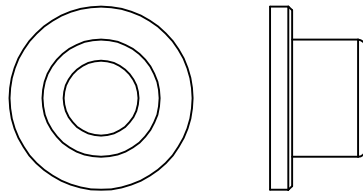
①107 × 104



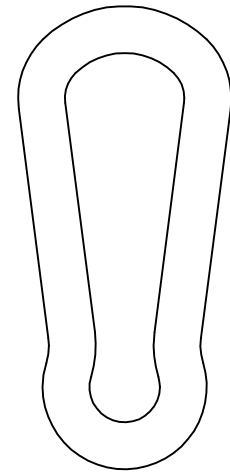
①106 × 18



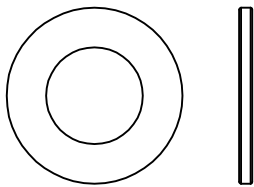
①111 × 2



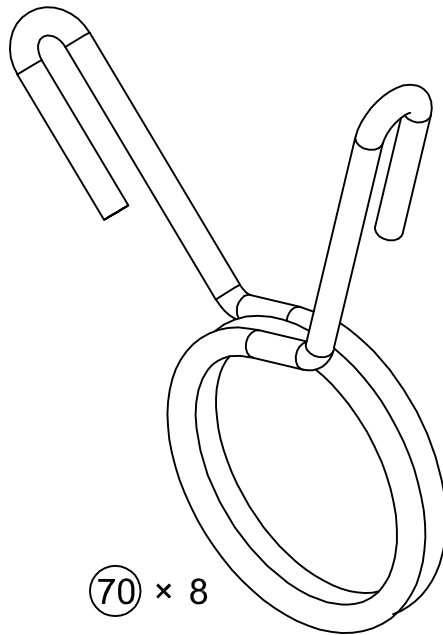
①57 × 4



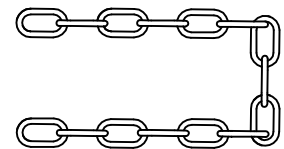
①73 × 4



①108 × 4

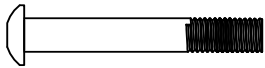


①70 × 8



①72 × 1

95



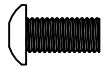
x4 M10x 2 1/2"

107



x10  $\Phi \frac{3}{4}$ "

90

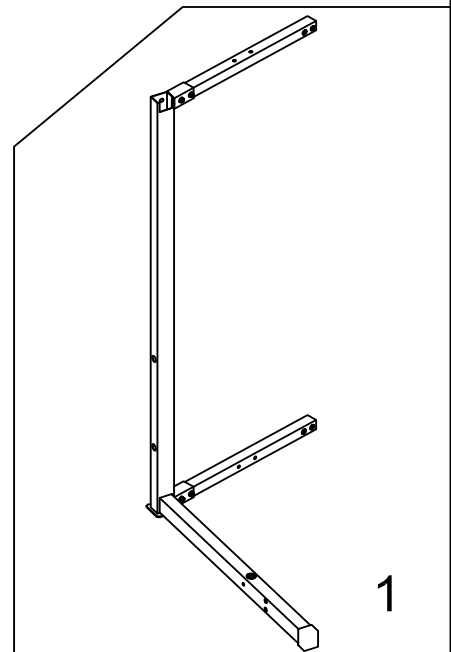
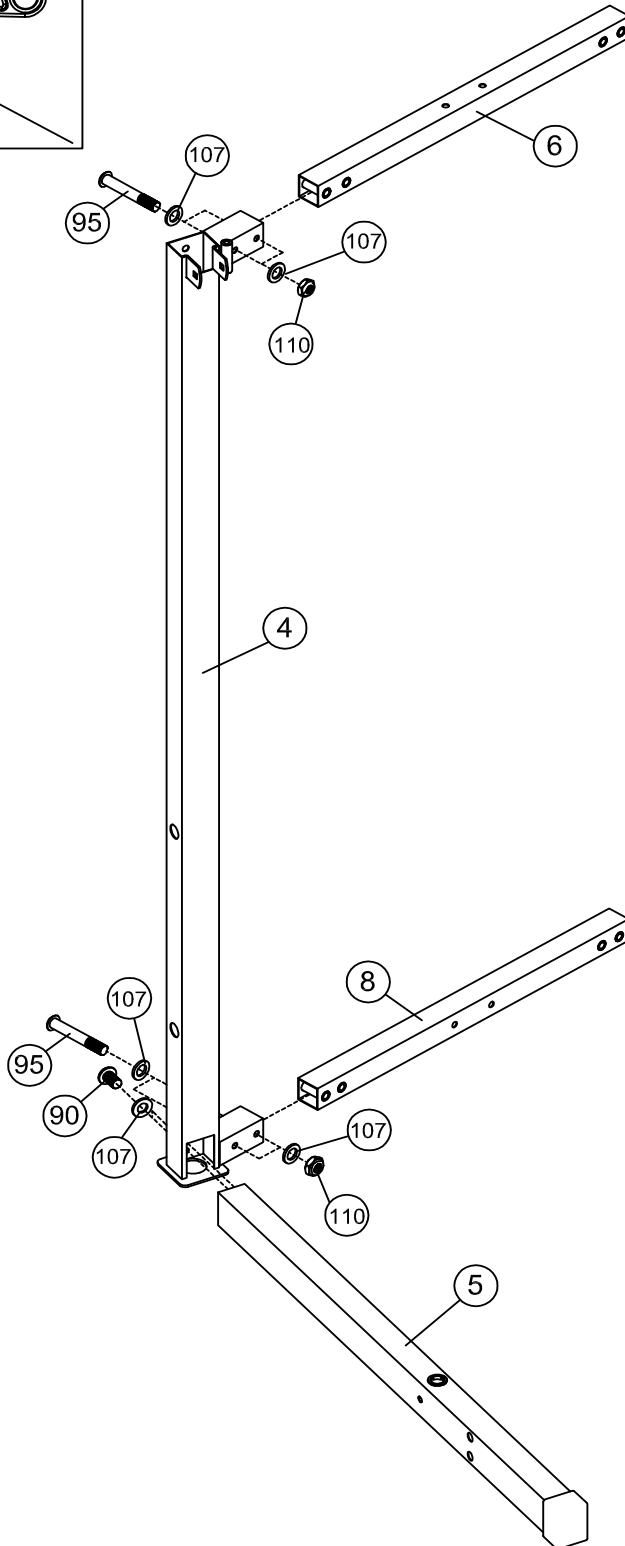
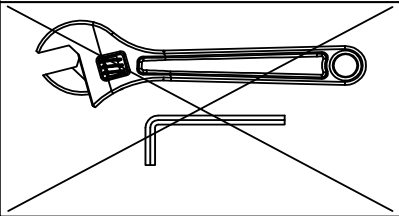


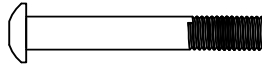
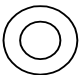

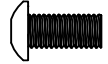


x2 M10x 3/4"

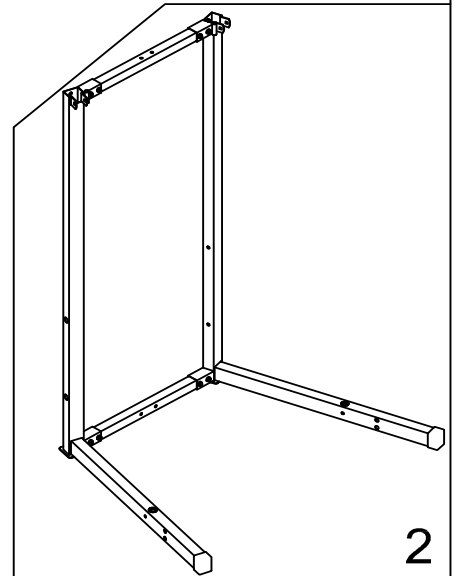
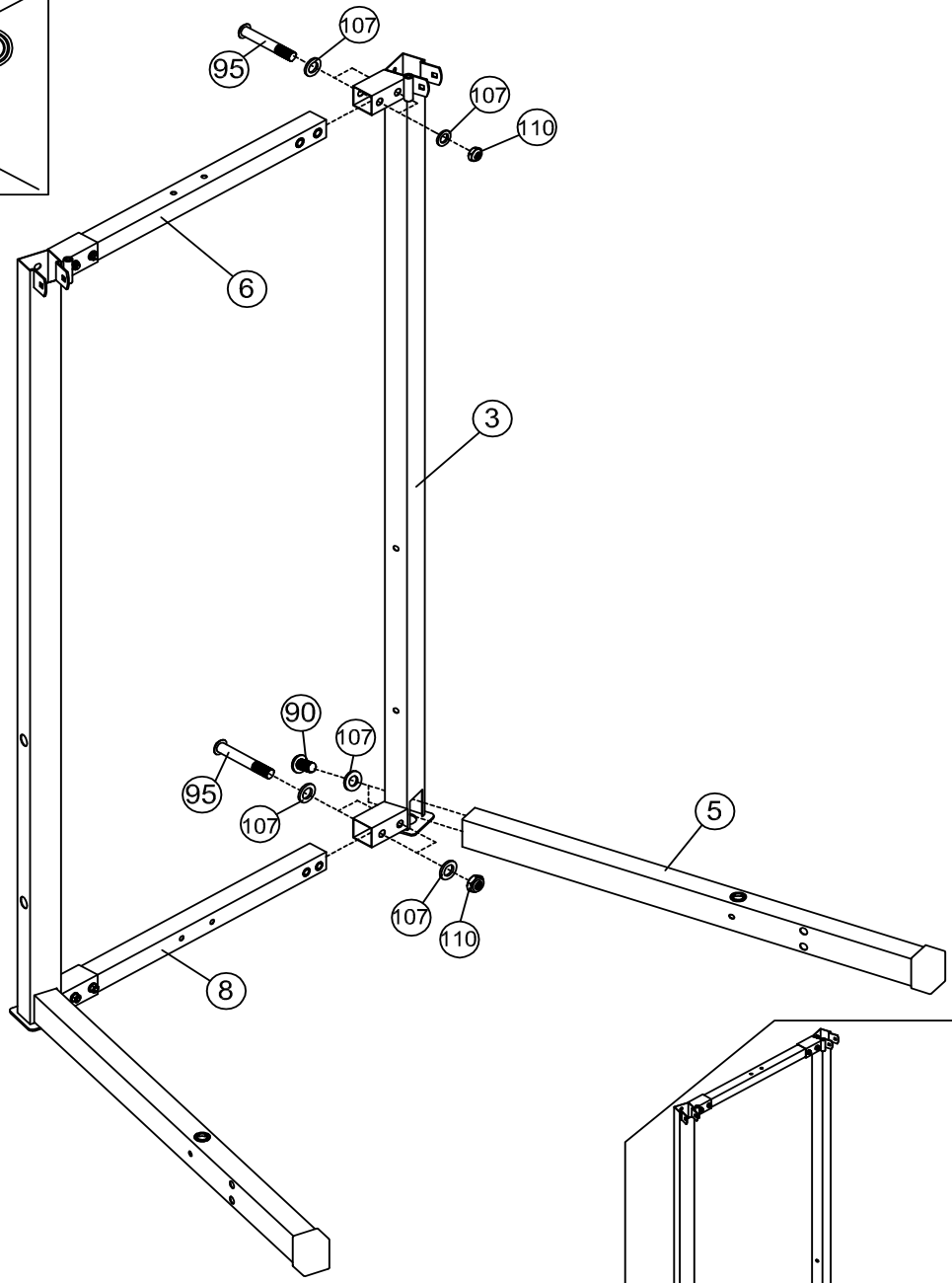
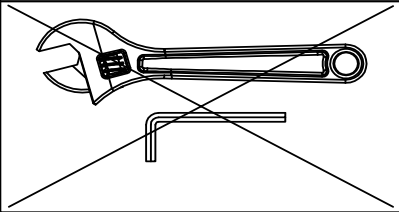
110

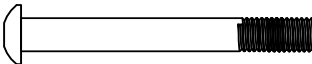

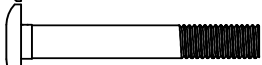

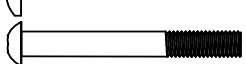

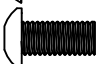

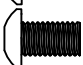


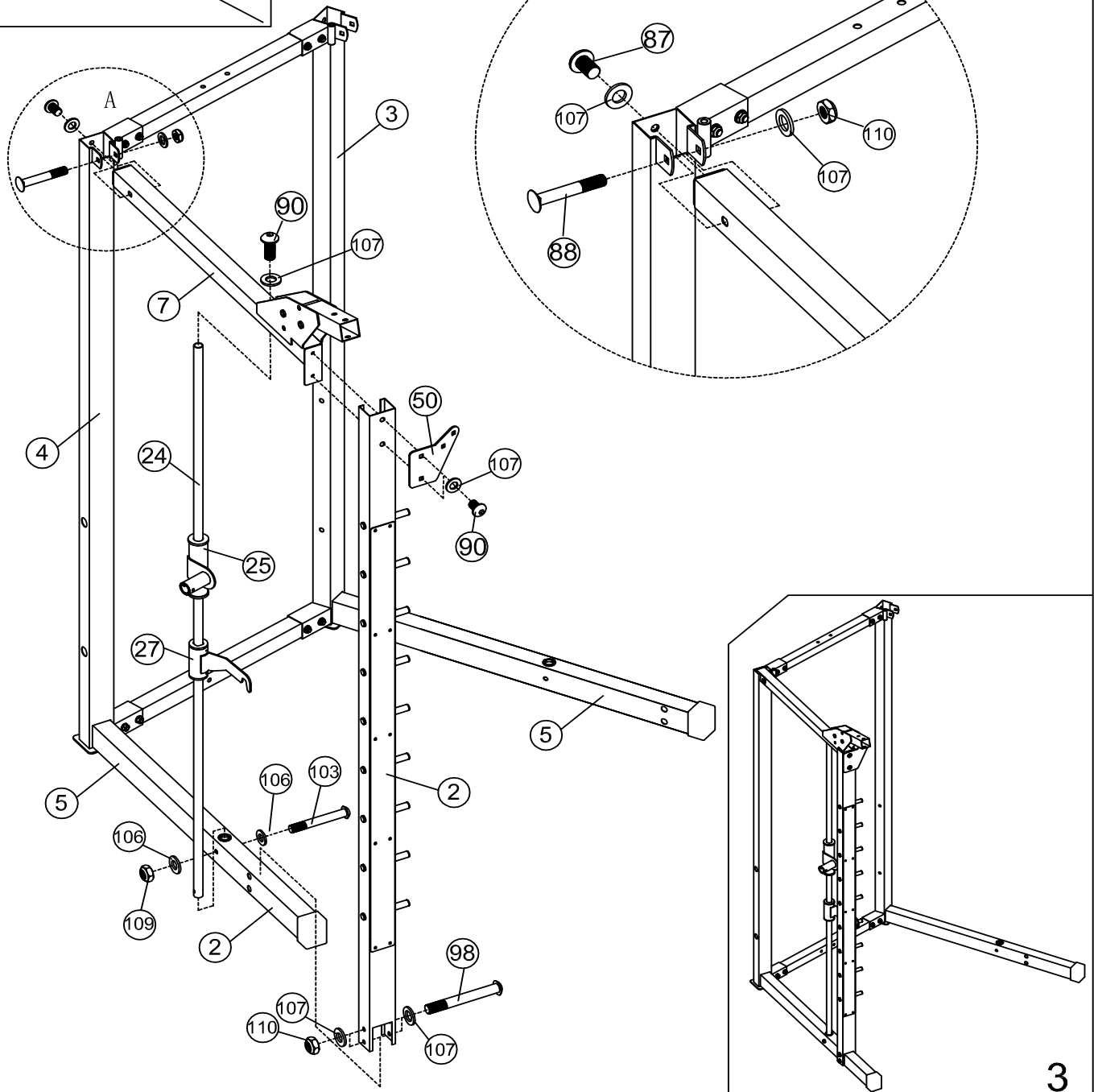
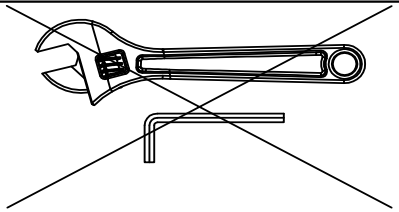
x4 M10

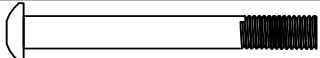
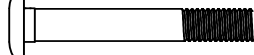
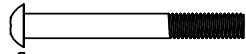








- |    |   |    |              |     |   |   |     |        |
|----|---|----|--------------|-----|---|---|-----|--------|
| 95 |   | x4 | M10 x 2 1/2" | 107 |   |   | x10 | Φ 3/4" |
| 90 |  | x2 | M10 x 3/4"   | 110 |  |  | x4  | M10    |

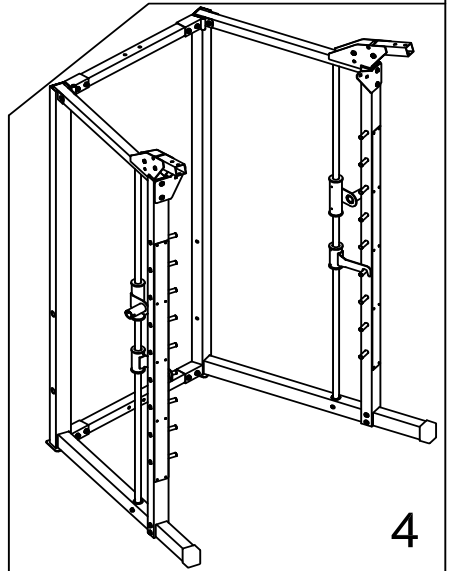
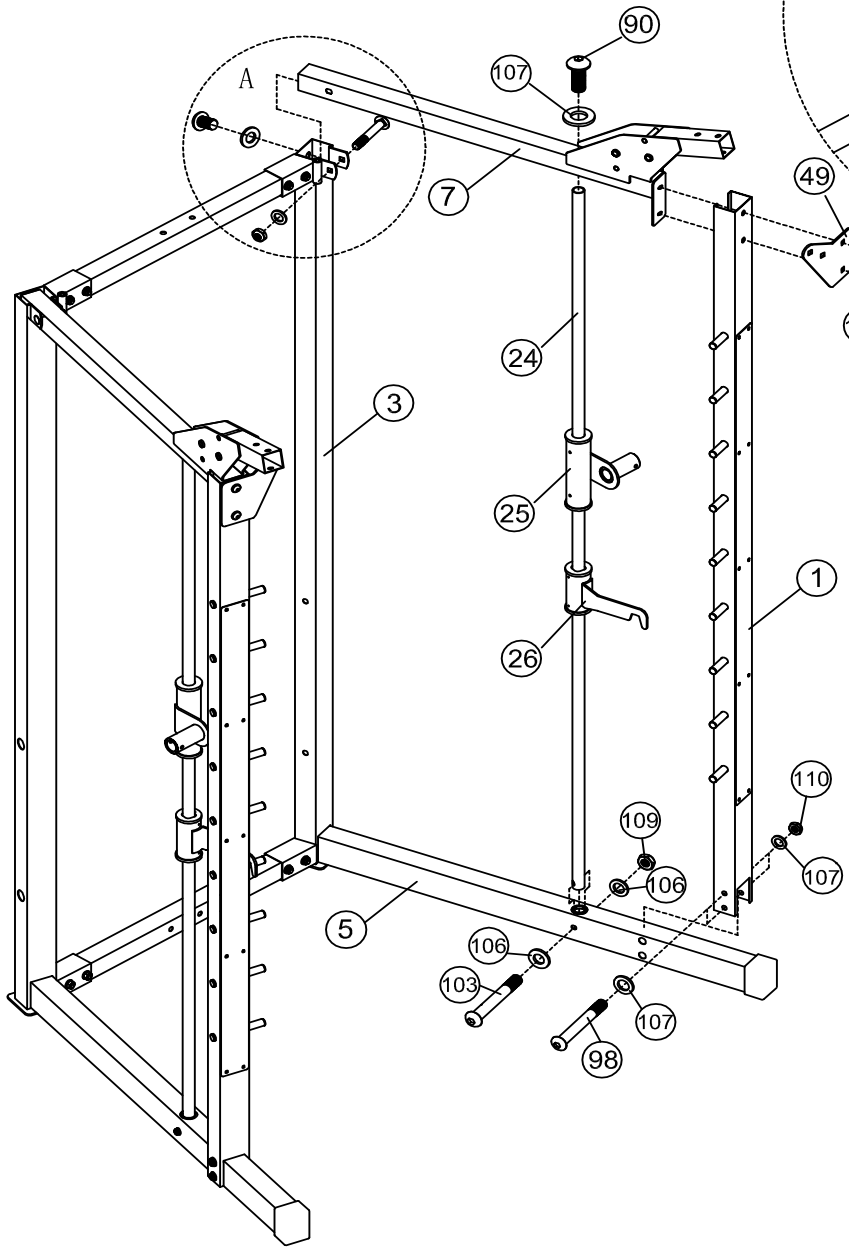
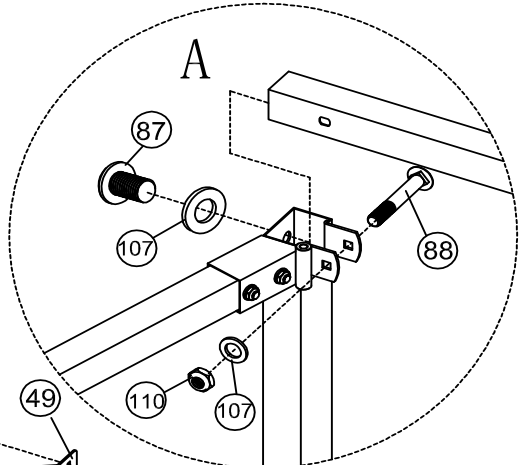
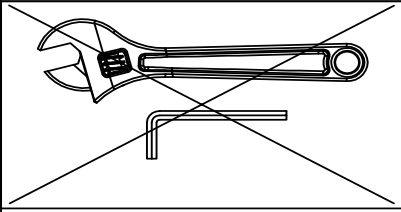


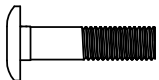
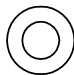

98		×2	M10× 3 1/8"	106		×2	Φ 5/8"
88		×1	M10× 2 1/2"	107		×9	Φ 3/4"
103		×1	M8× 2 3/8"	109		×1	M8
90		×3	M10× 3/4"	110		×3	M10
87		×1	M10× 5/8"				

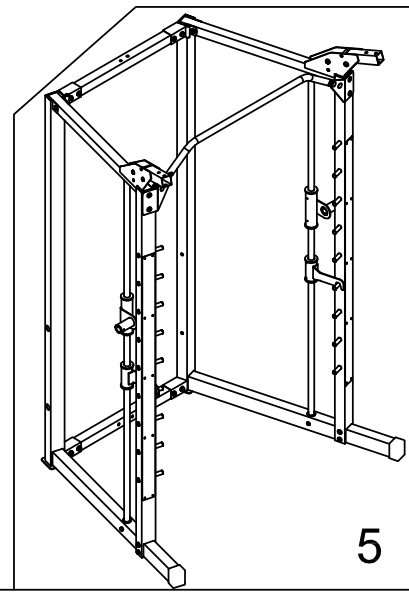
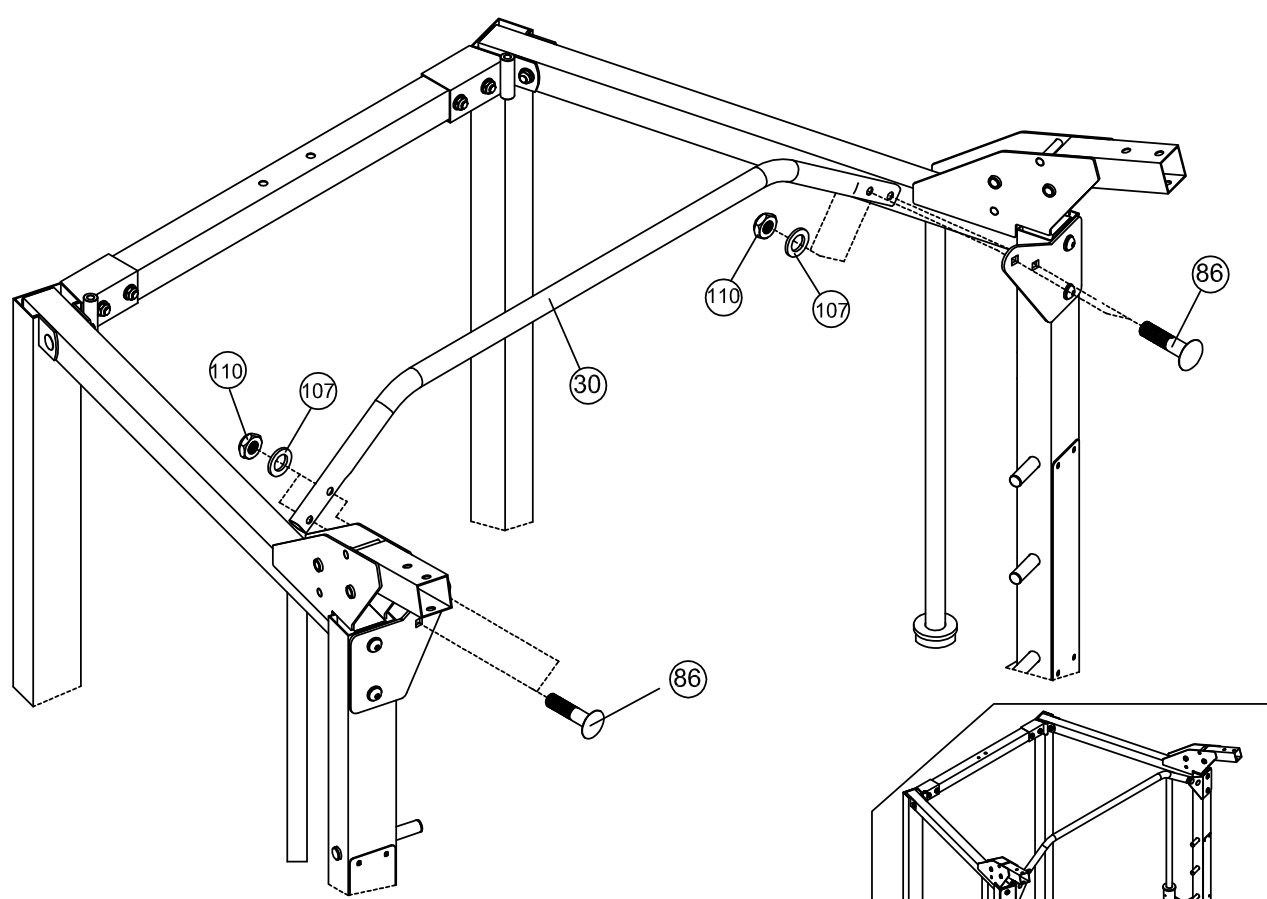
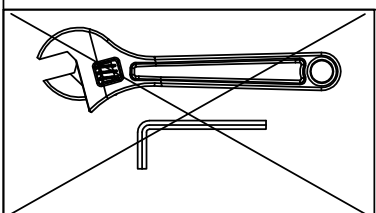


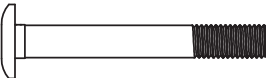


- ⑨⑧        ×2    M10× 3 1/8"
- ⑧⑧        ×1    M10× 2 1/2"
- ①⑦③        ×1    M8× 2 3/8"
- ⑨⑦        ×3    M10× 3/4"
- ⑧⑦        ×1    M10× 5/8"

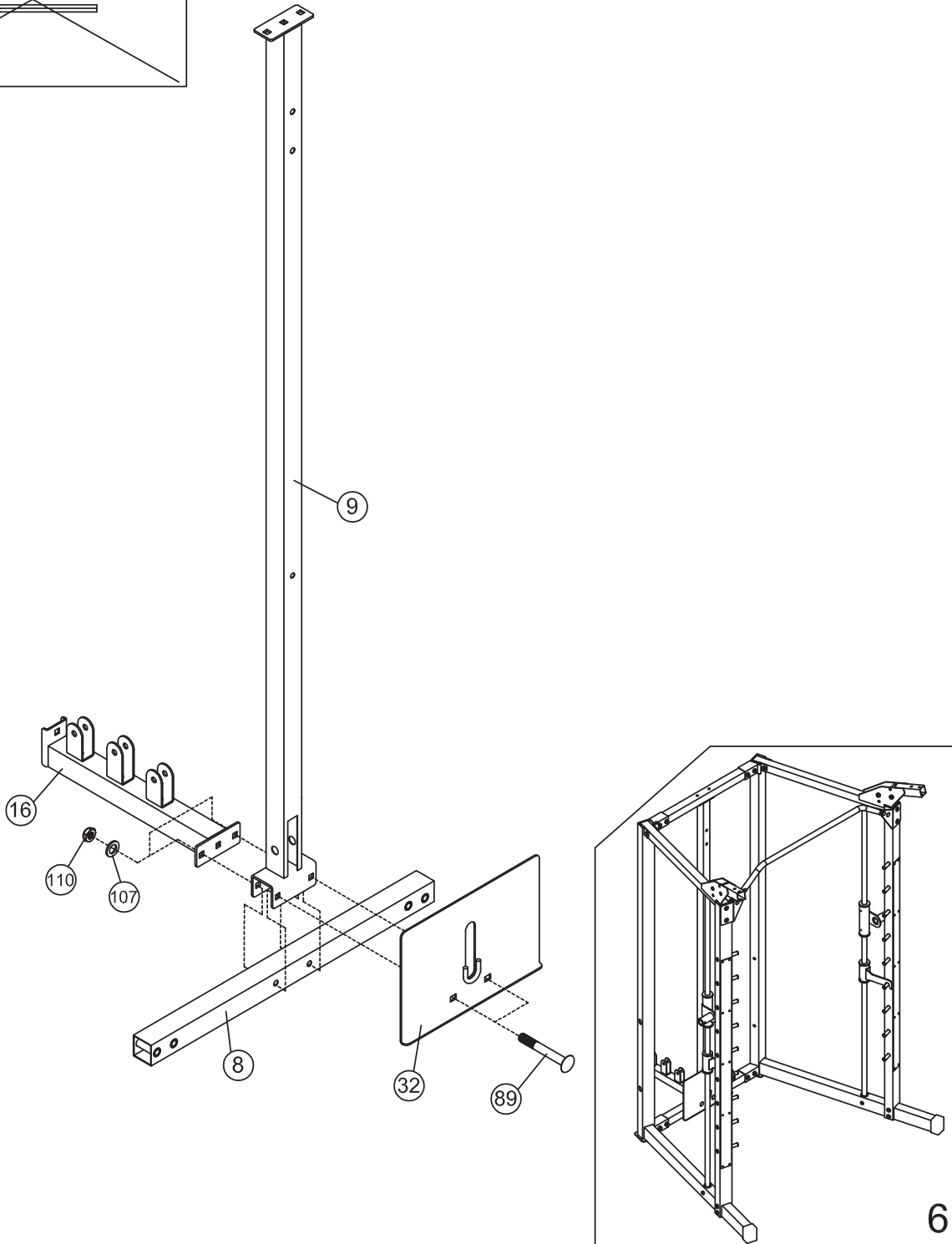
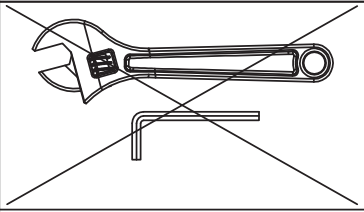
- ①⑦⑥        ×2    Φ 5/8"
- ①⑦⑦        ×9    Φ 3/4"
- ①⑦⑨        ×1    M8
- ①①⑦        ×3    M10



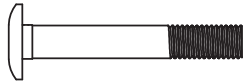
- |       |   |    |                       |       |  |    |                      |
|-------|---|----|-----------------------|-------|--|----|----------------------|
| (86)  |  | ×4 | M10×1 $\frac{5}{8}$ " | (107) |  | ×4 | $\Phi \frac{3}{4}$ " |
| (110) |  | ×4 | M10                   |       |  |    |                      |



- |       |   |    |         |       |  |    |                      |
|-------|---|----|---------|-------|--|----|----------------------|
| (89)  |   | ×2 | M10× 3" | (107) |  | ×2 | $\Phi \frac{3}{4}$ " |
| (110) |  | ×2 | M10     |       |  |    |                      |



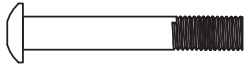
88 ×4 M10× 2 1/2"



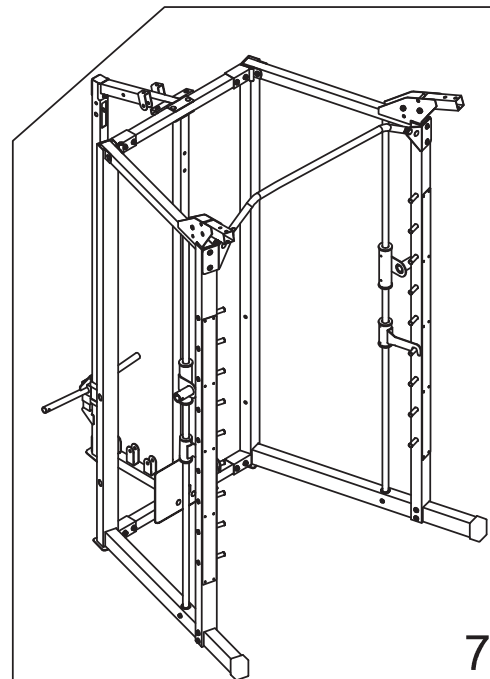
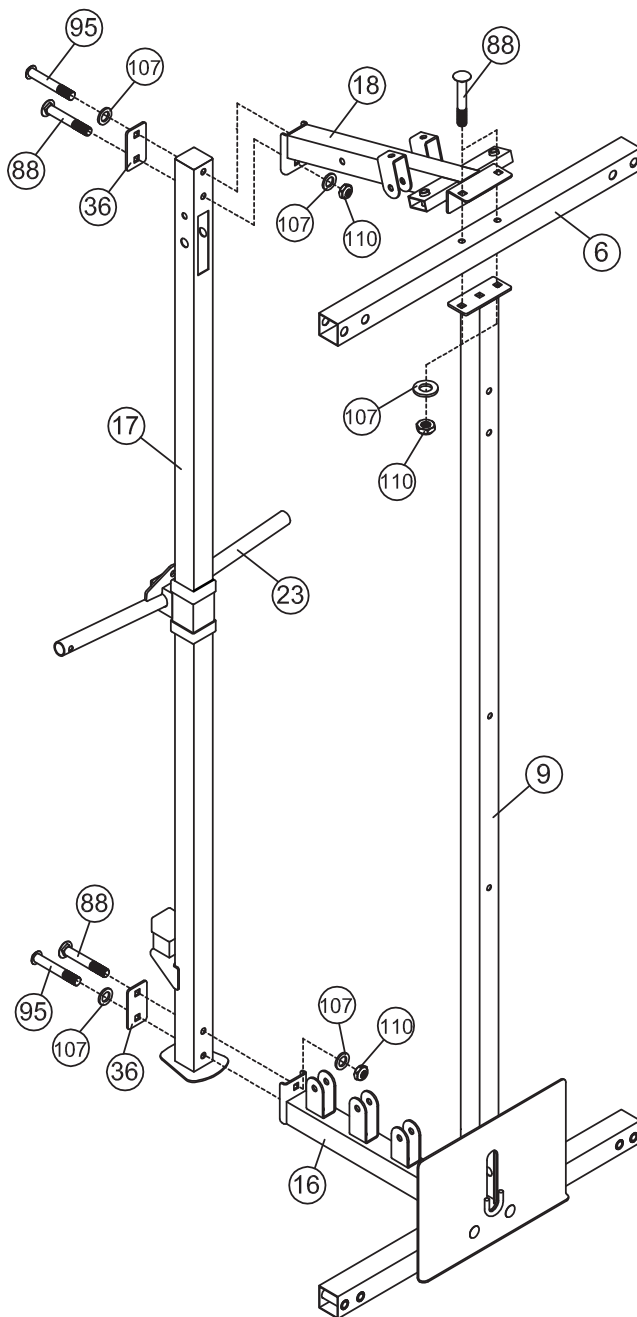
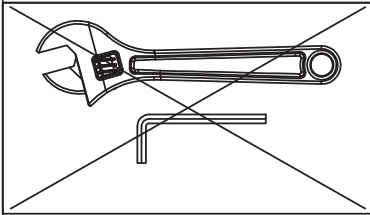
107 ×6  $\Phi$  3/4"



95 ×2 M10× 2 1/2"

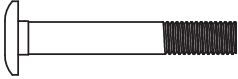





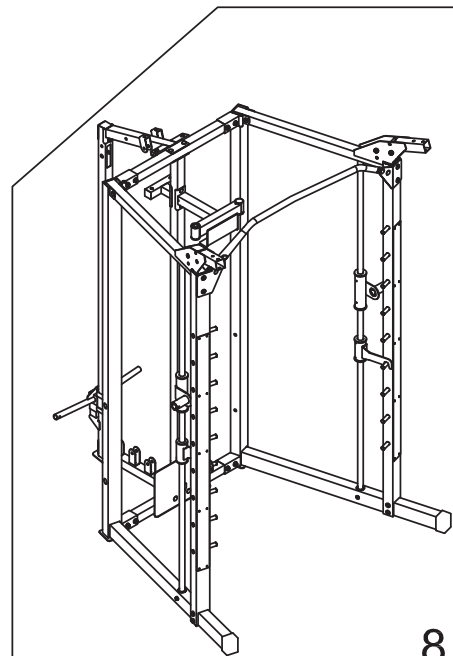
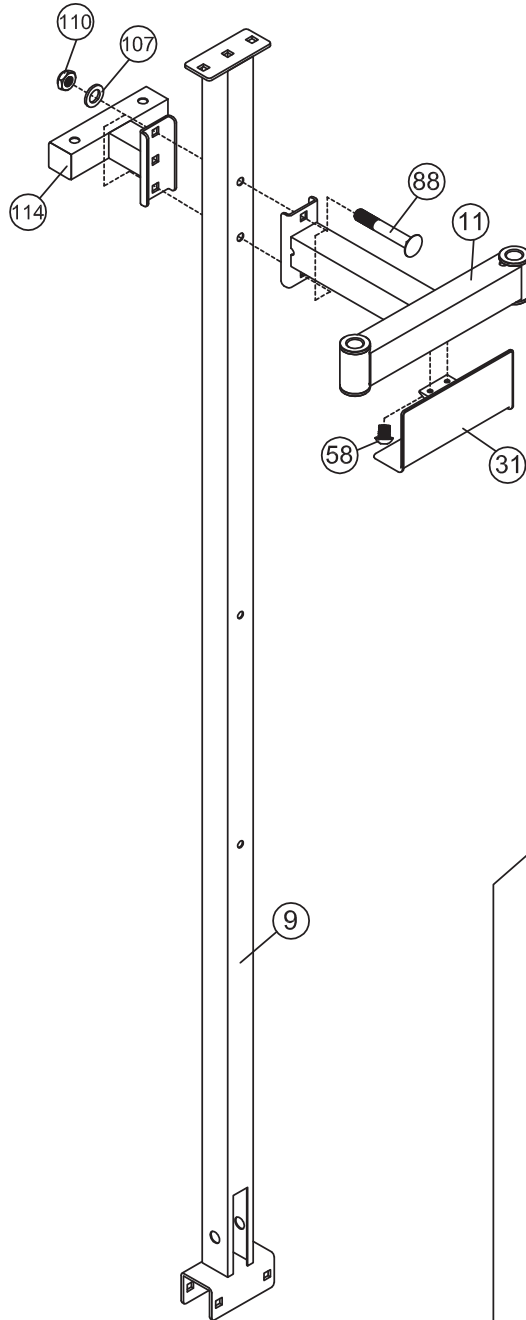
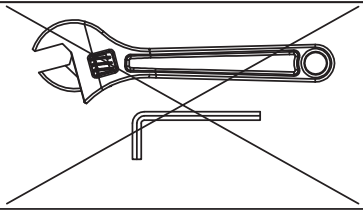
110 ×4 M10

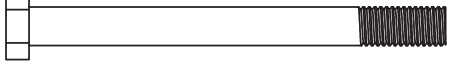

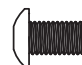




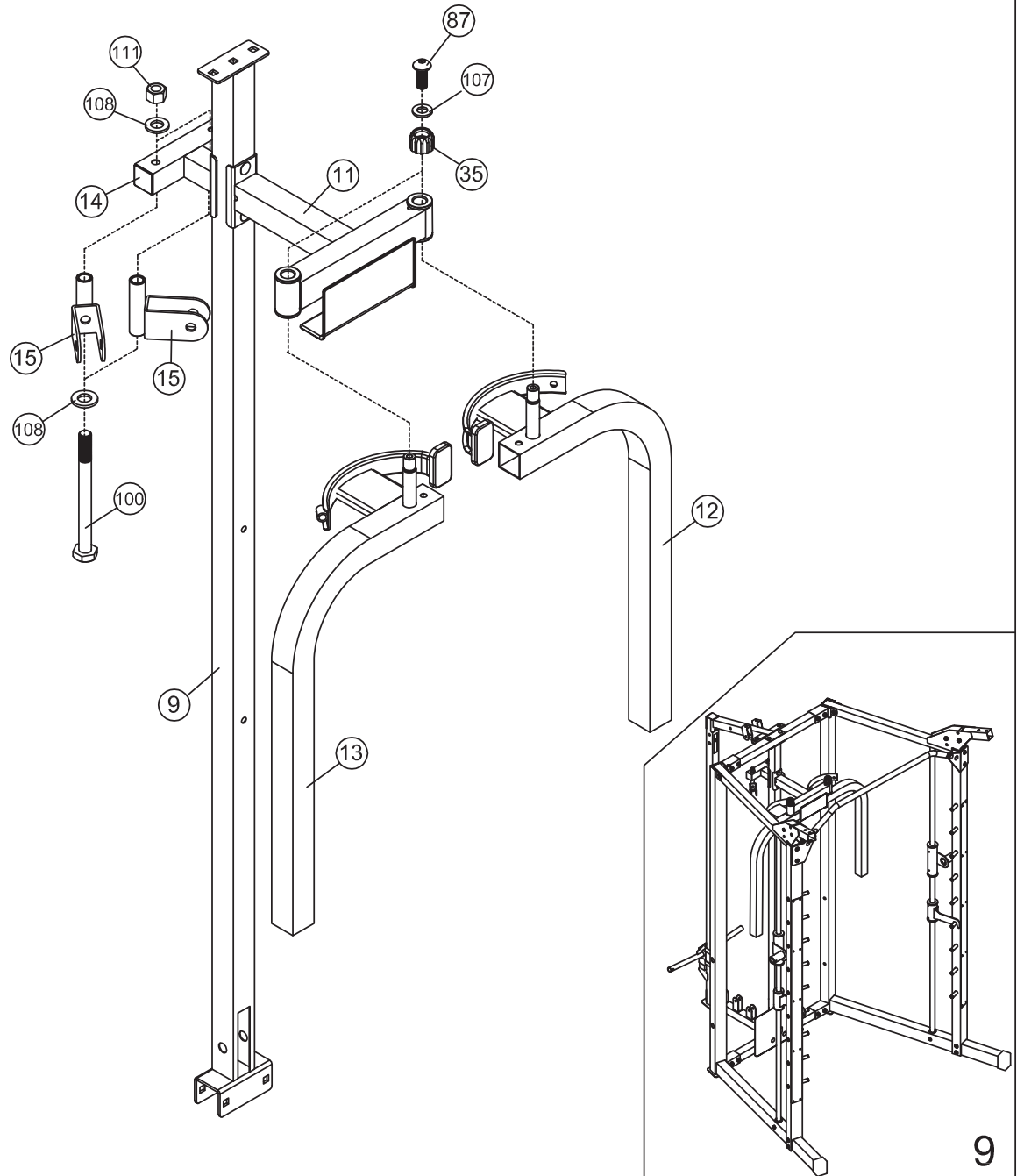
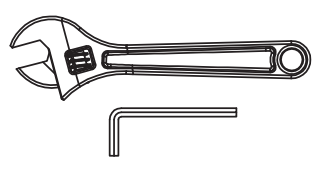
7



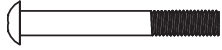
- |      |   |    |             |       |   |    |        |
|------|---|----|-------------|-------|---|----|--------|
| (88) |   | ×2 | M10× 2 1/2" | (107) |   | ×2 | Φ 3/4" |
| (58) |  | ×2 | M6× 3/8"    | (110) |  | ×2 | M10    |



- |     |   |    |           |     |   |    |        |
|-----|---|----|-----------|-----|---|----|--------|
| 100 |   | ×2 | M12×5"    | 107 |   | ×2 | Φ 3/4" |
| 87  |  | ×2 | M10× 5/8" |     |   |    |        |
| 111 |  | ×2 | M12       | 108 |  | ×4 | Φ 1"   |



103

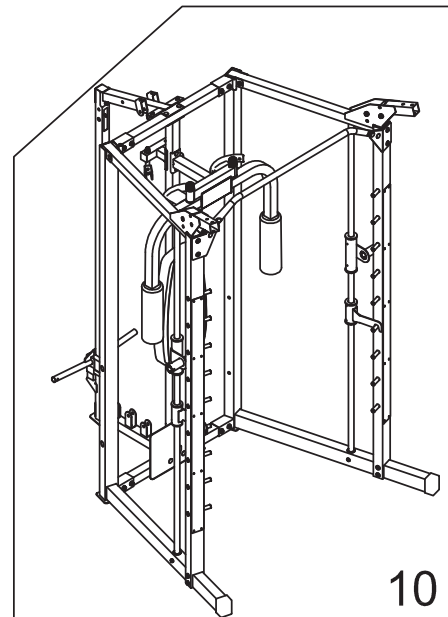
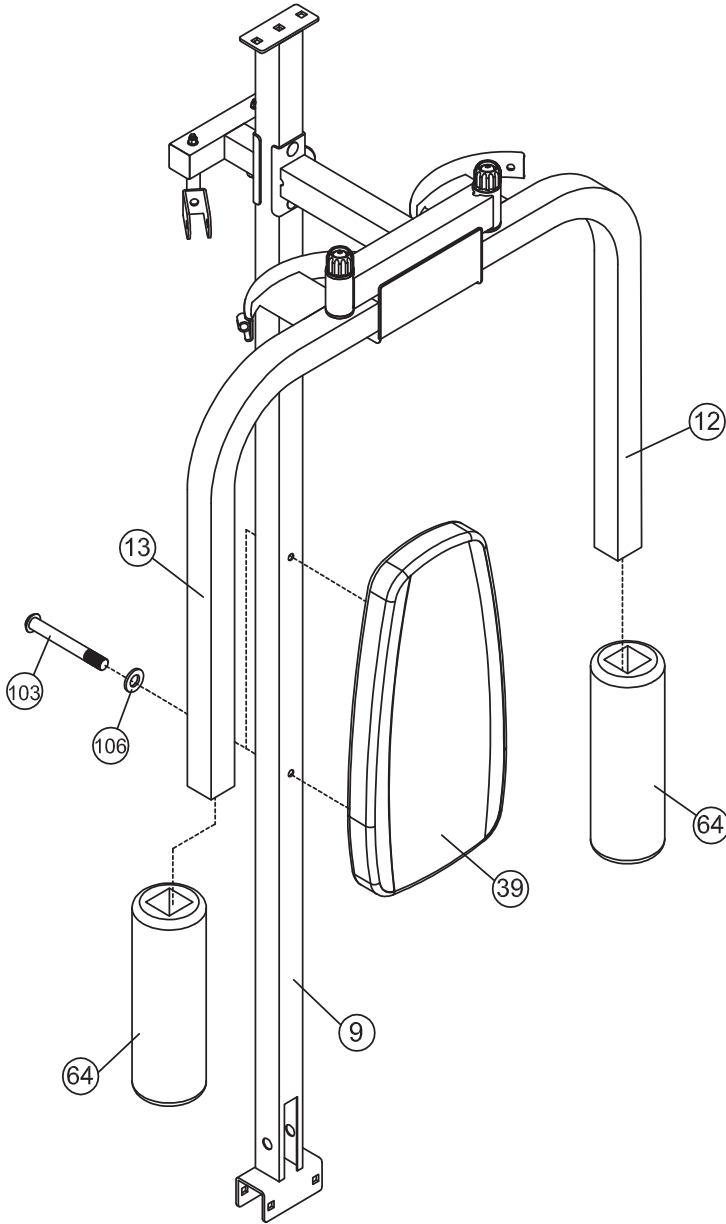
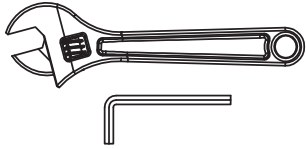


×2 M8×2 3/8"

106



×2 Φ 5/8"

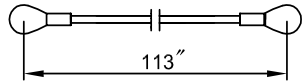


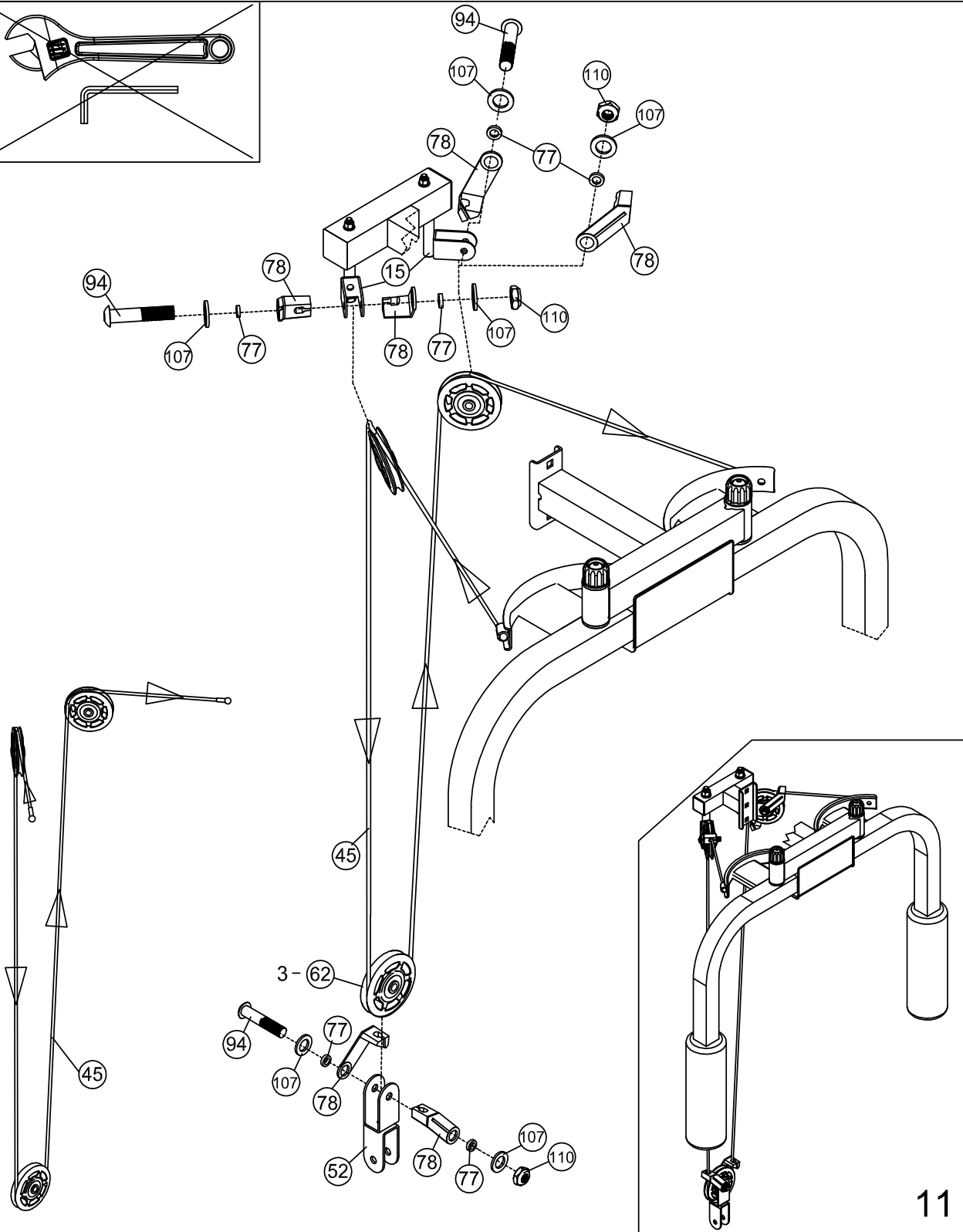
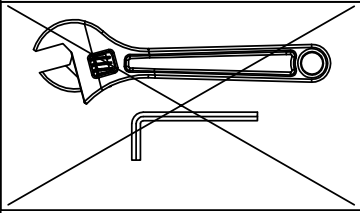
10

94  x3 M10x2"

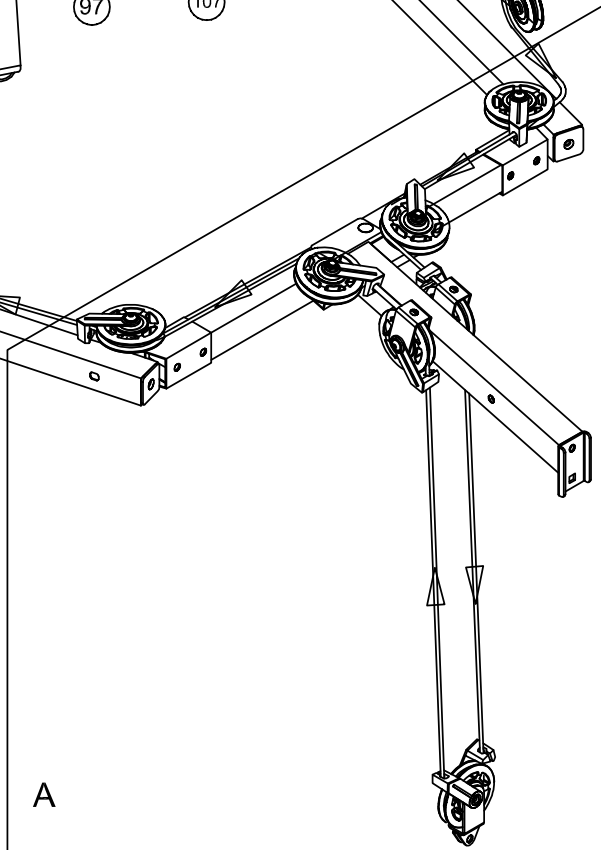
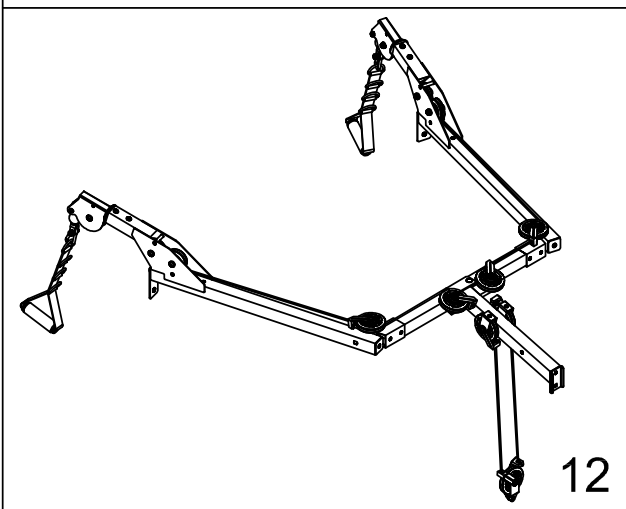
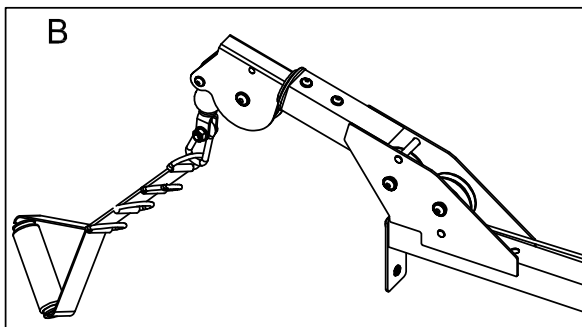
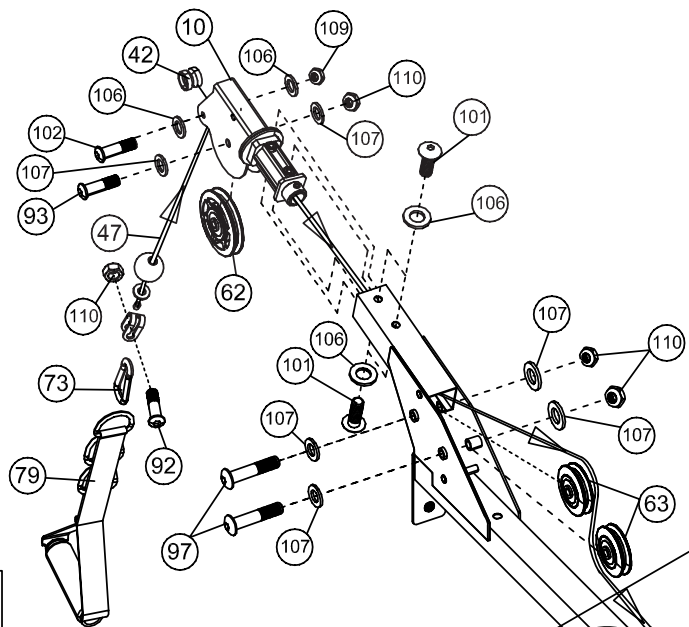
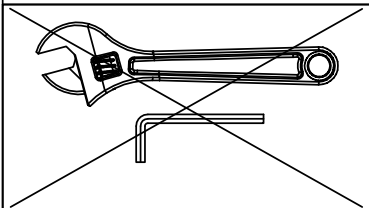
107  x6  $\Phi \frac{3}{4}$ "

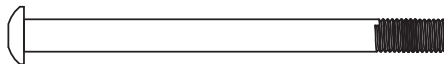
110  x3 M10

45  x1  
113"



97		x2	M10 x 2 <sup>3</sup> / <sub>4</sub> "	106		x6	Φ <sup>5</sup> / <sub>8</sub> "
93		x1	M10 x 1 <sup>3</sup> / <sub>4</sub> "	107		x6	Φ <sup>3</sup> / <sub>4</sub> "
102		x1	M8 x 1 <sup>5</sup> / <sub>8</sub> "	109		x1	M8
92		x1	M10 x 1 <sup>1</sup> / <sub>8</sub> "	110		x4	M10
101		x2	M8 x <sup>3</sup> / <sub>8</sub> "	47		x1	261"



99  ×1 M10× 5"

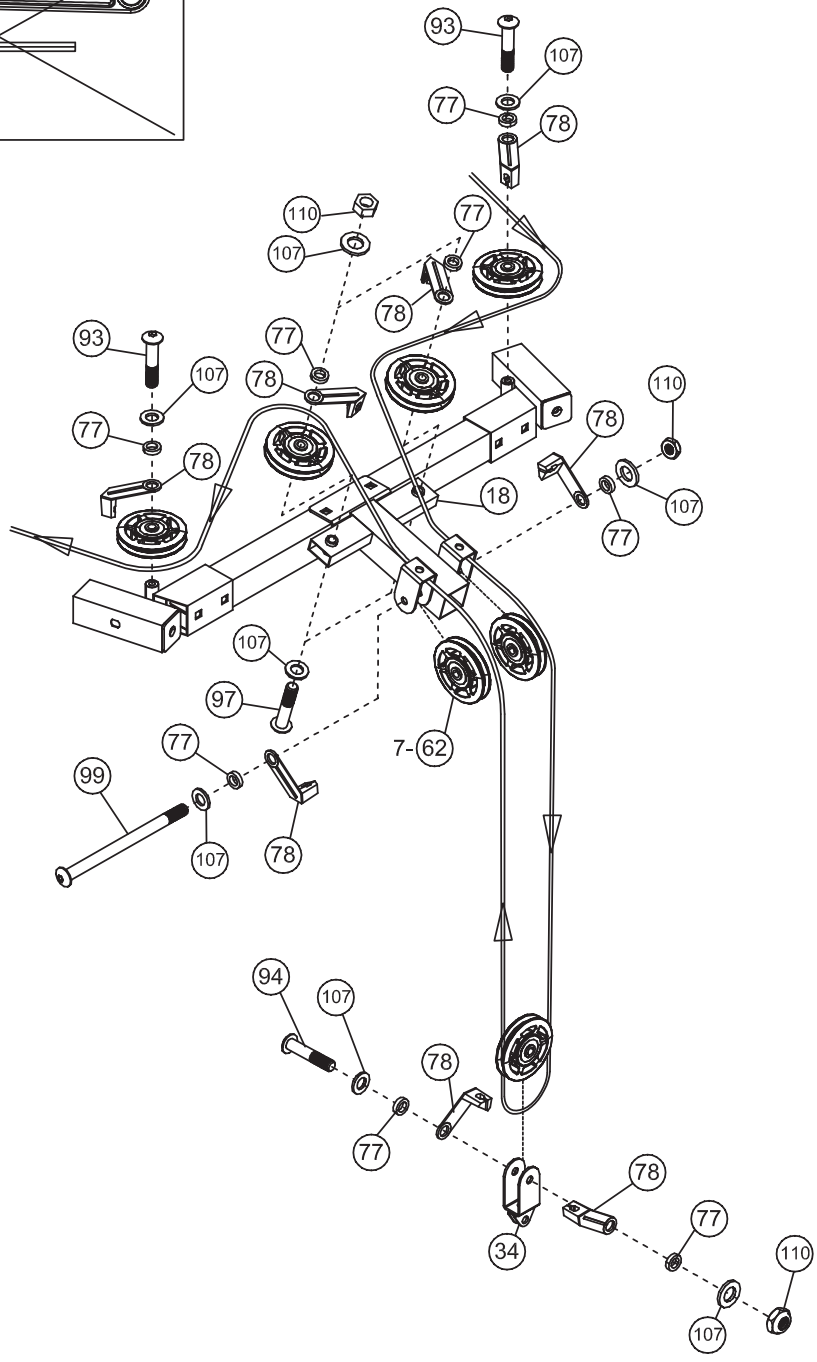
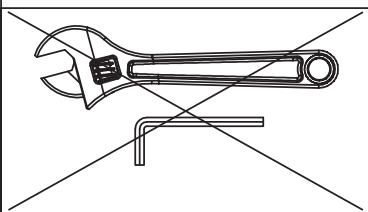
97  ×2 M10× 2 3/4"

94  ×1 M10× 2"










93  ×2 M10× 1 3/4"

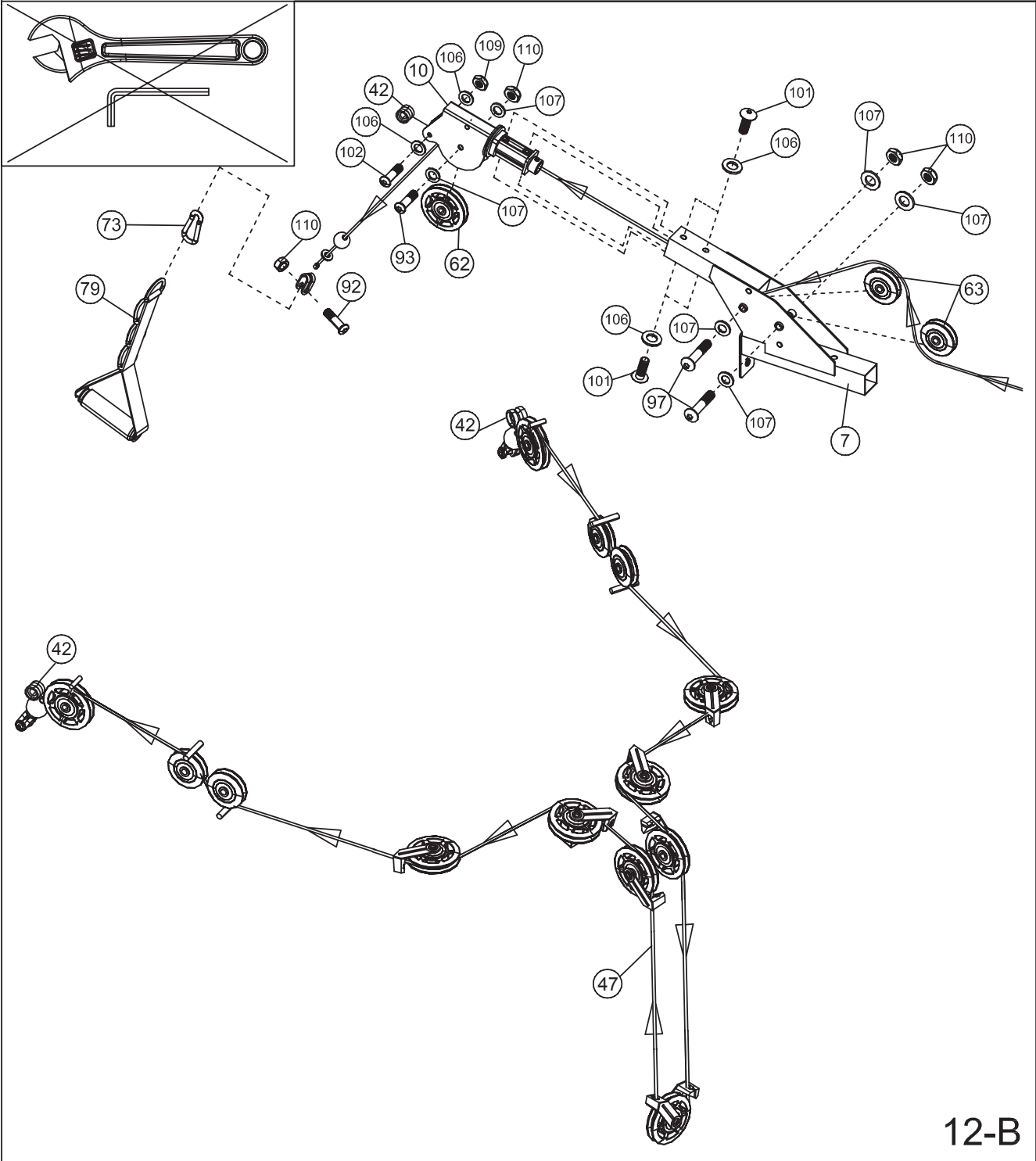
107  |  ×10  $\Phi \frac{3}{4}$ "

110   ×4 M10

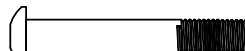
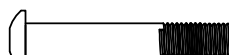
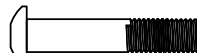






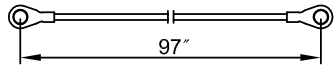
12-A

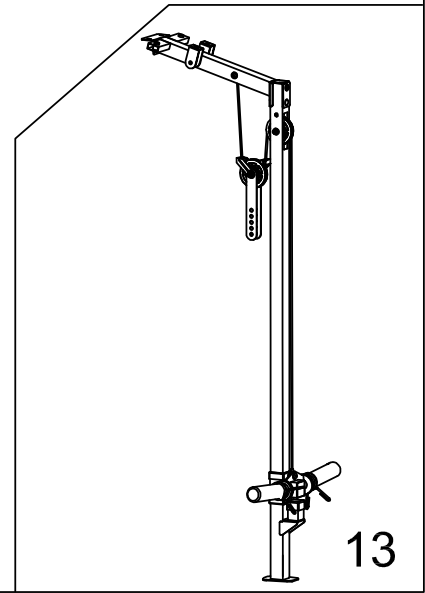
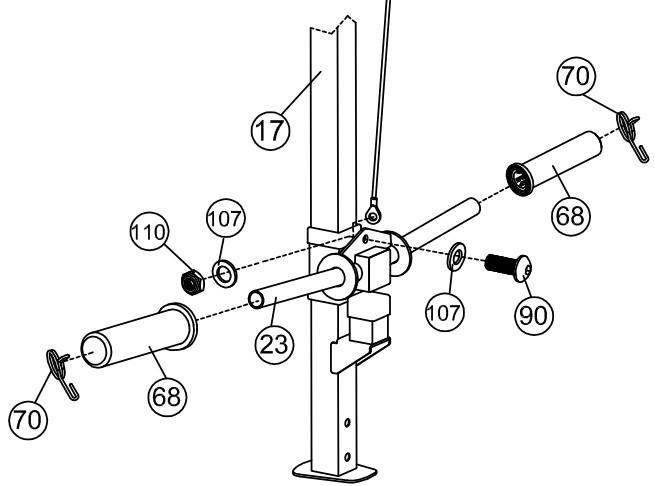
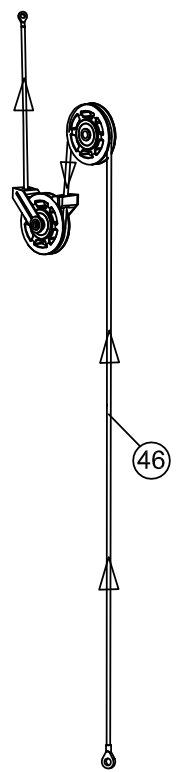
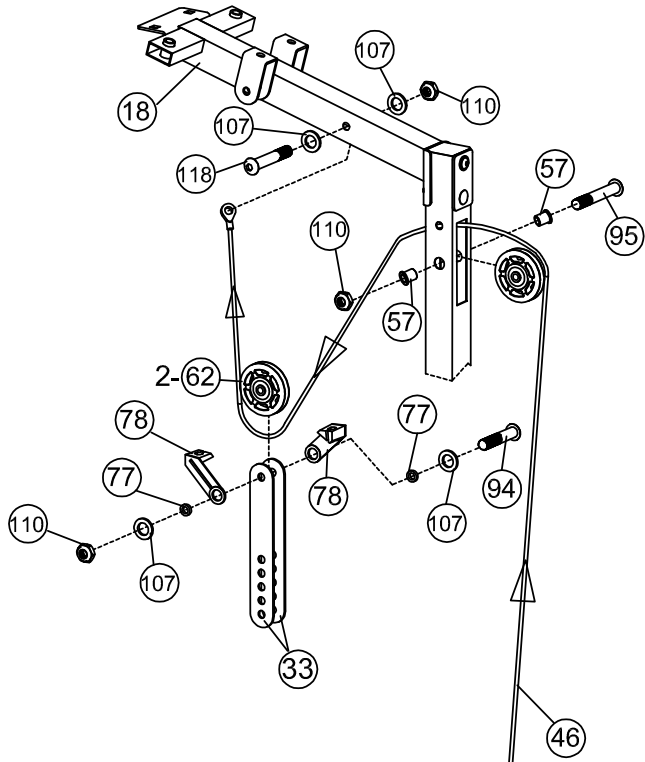
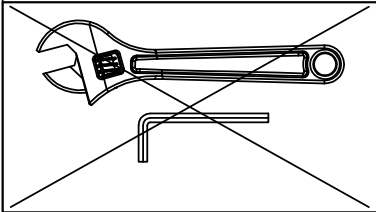
97		x2	M10x 2 3/4"	106		x6	Φ 5/8"
93		x1	M10x 1 3/4"	107		x6	Φ 3/4"
102		x1	M8x 1 5/8"	109		x1	M8
92		x1	M10x 1 1/8"	110		x4	M10
101		x4	M8x 3/8"				



12-B

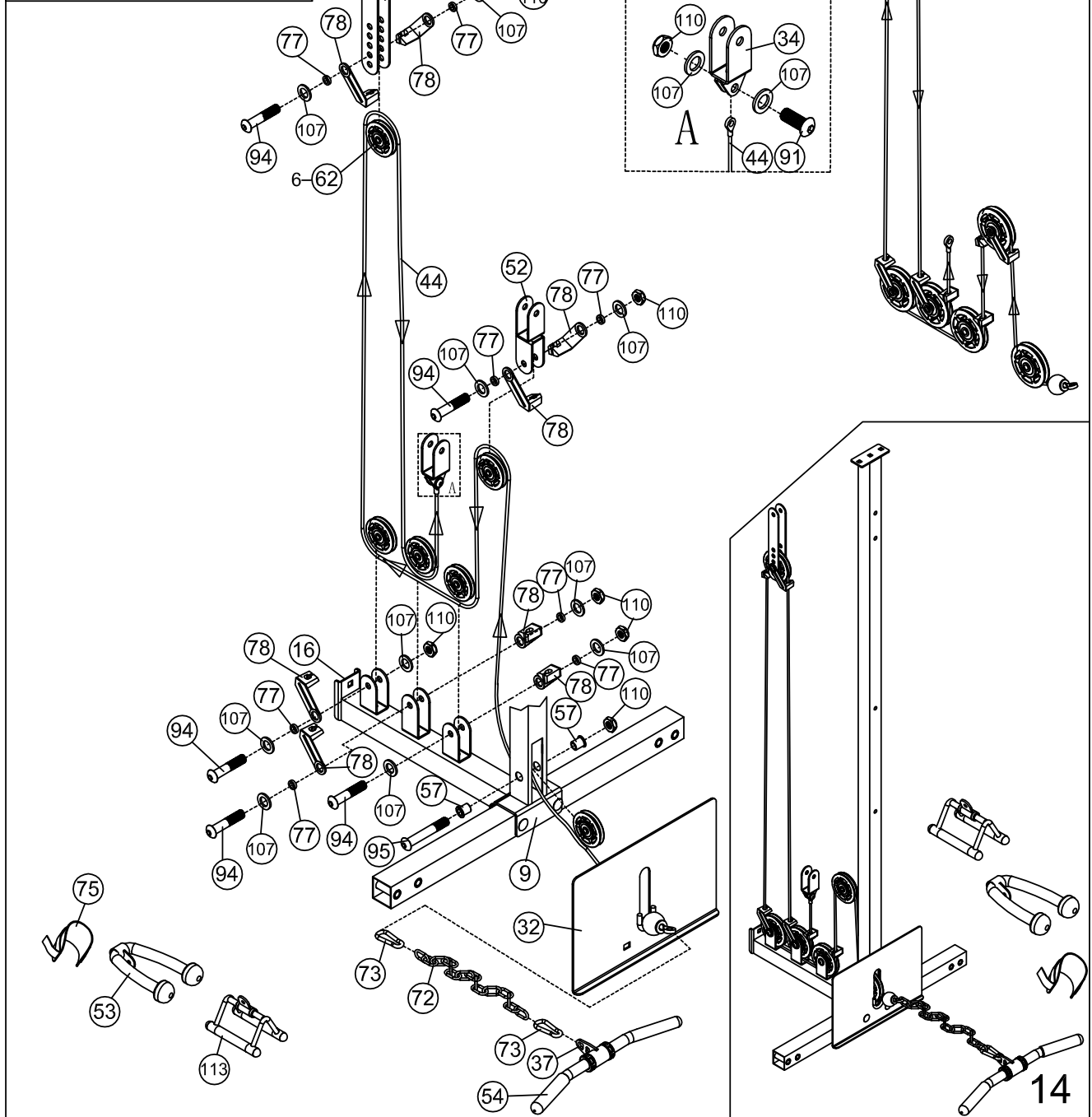
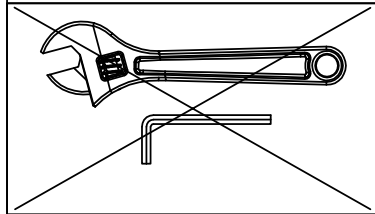
- 95  ×1 M10×2 1/2"
- 118  ×1 M10×2 3/8"
- 94  ×1 M10×2 "
- 57  ×2 Φ1"×1/2"

- 90  ×1 M10×3/4"
- 107  ×6 Φ 3/4"
- 110  ×4 M10
- 46  ×1 97"





(95)		x1	M10x2 1/2"	(107)		x12	Φ 3/4"
(94)		x5	M10x2"	(110)		x7	M10
(91)		x1	M10x1"	(44)		x1	
(57)		x2	Φ 1" x 1/2"				



90

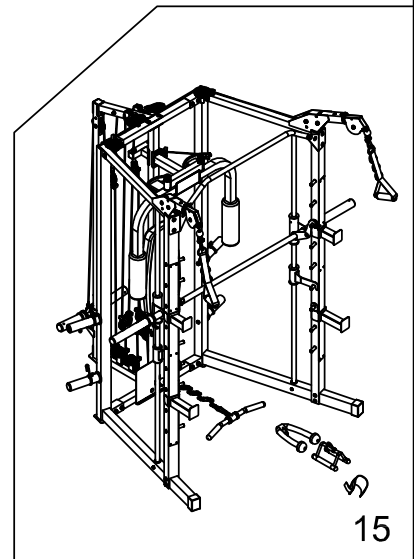
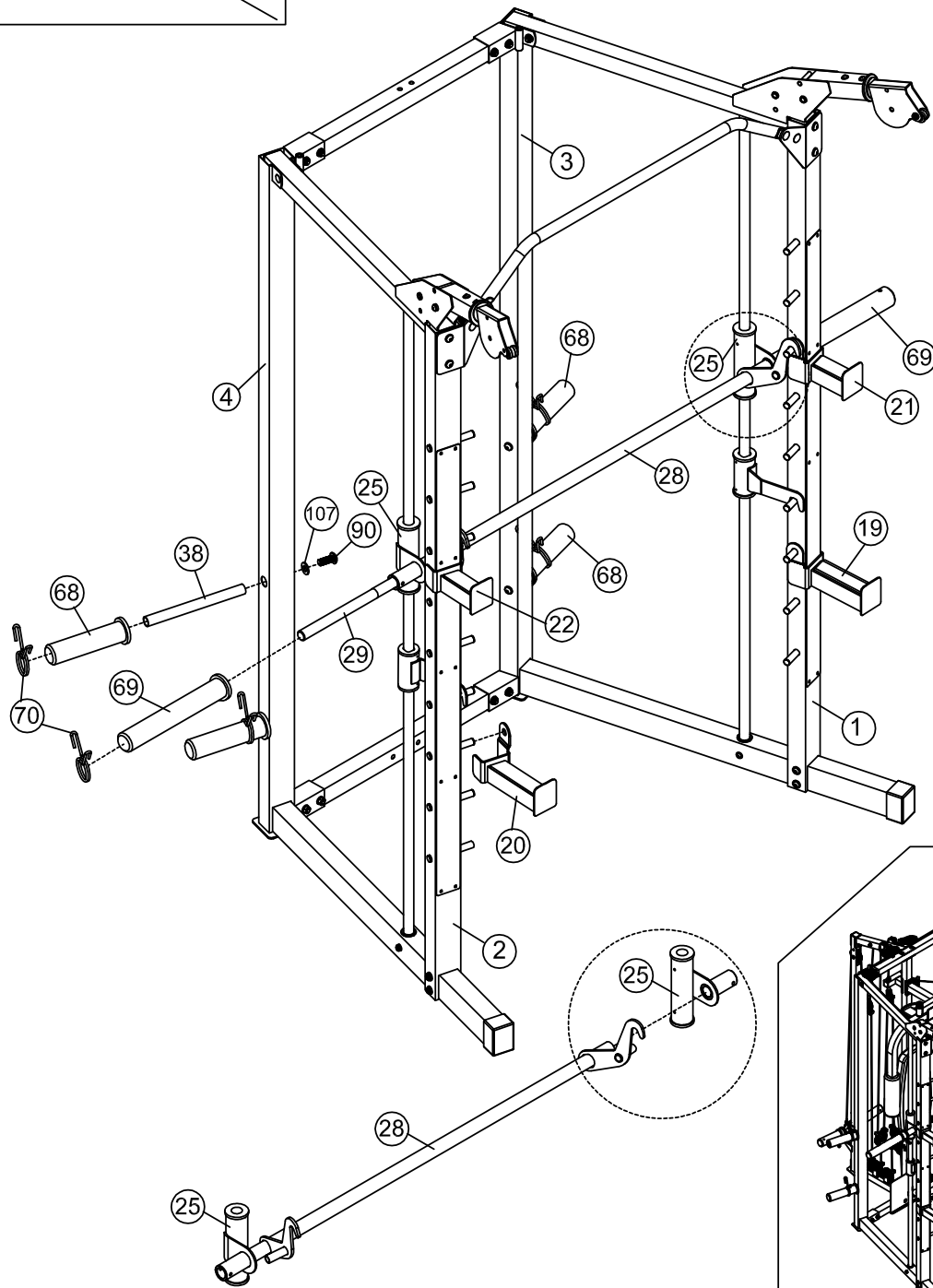
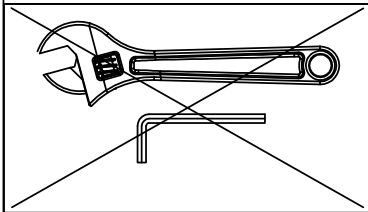


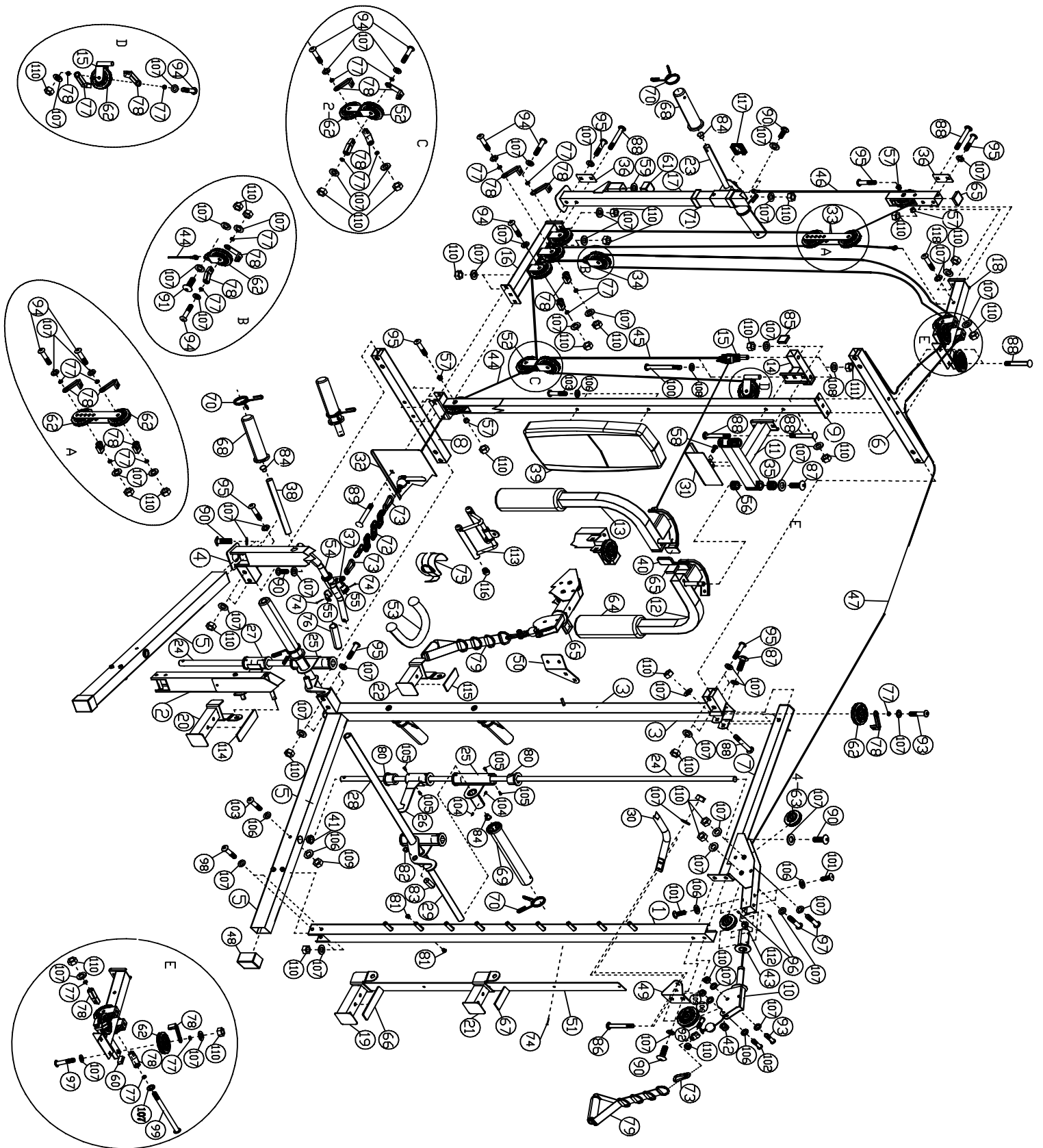
x4 M10x 3/4"

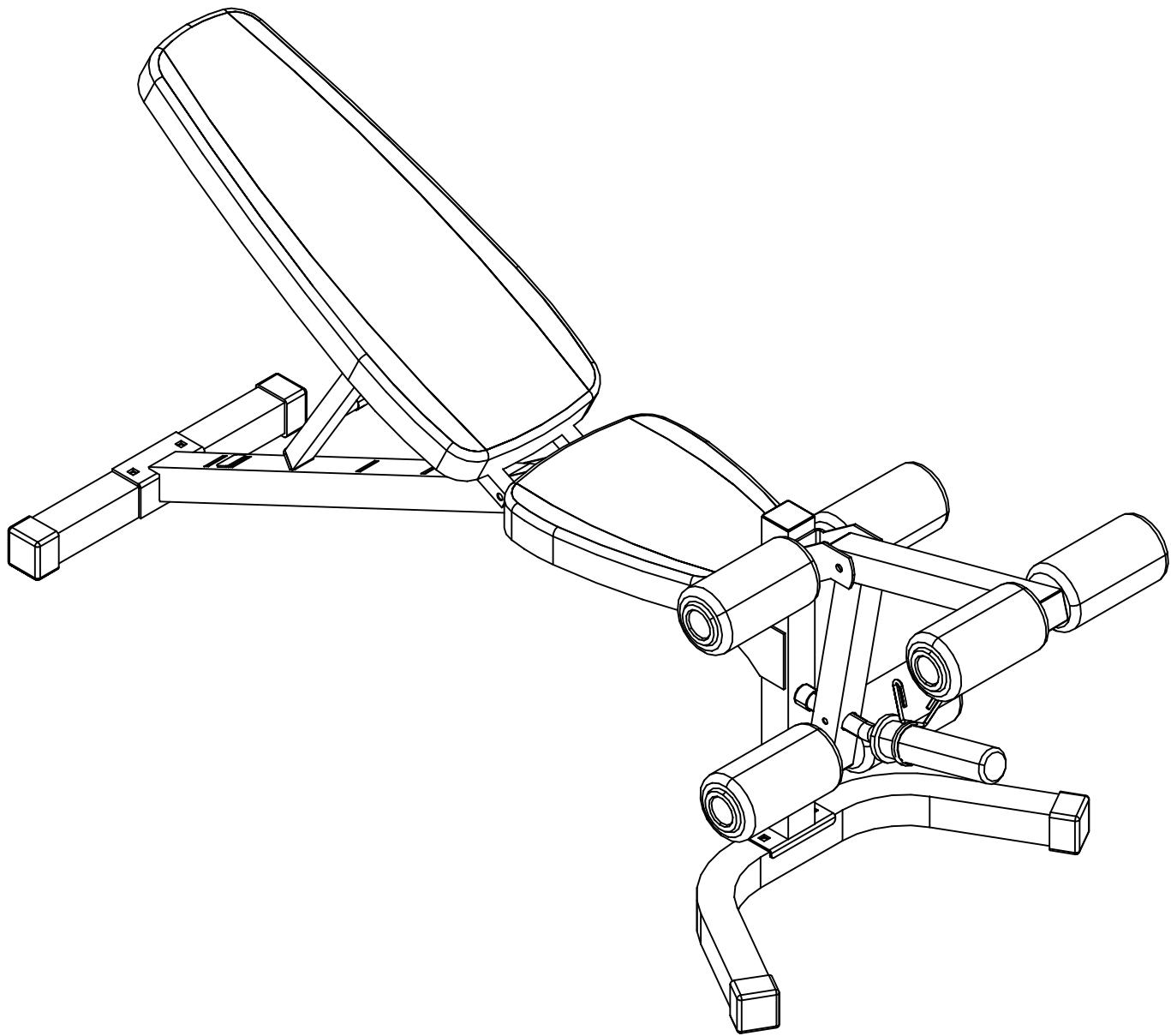
107

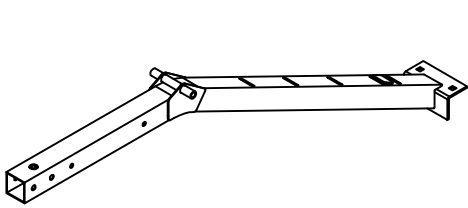


x4 Φ 3/4"

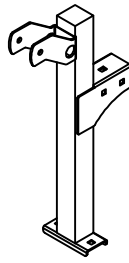




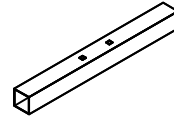




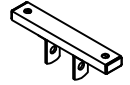
① × 1



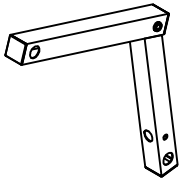
② × 1



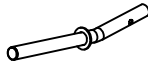
③ × 1



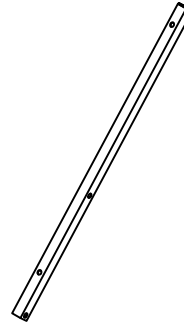
④ × 2



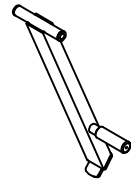
⑤ × 1



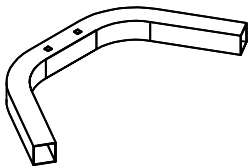
⑥ × 1



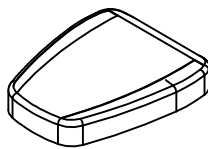
⑦ × 2



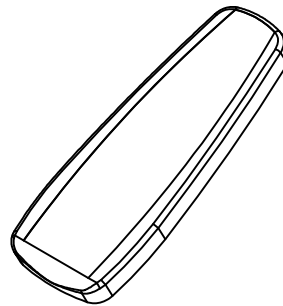
⑧ × 1



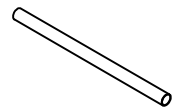
⑨ × 1



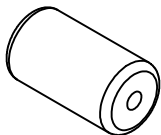
⑩ × 1



⑪ × 1



⑬ × 3



⑭ × 6



⑮ × 1



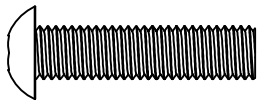
⑯ × 6



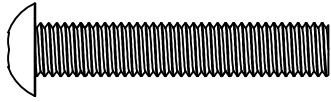
⑰ × 4



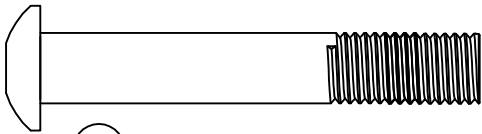
⑳ × 1



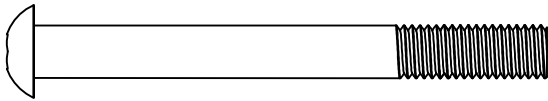
31 × 4



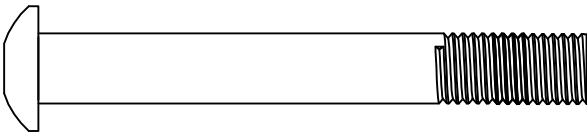
32 × 4



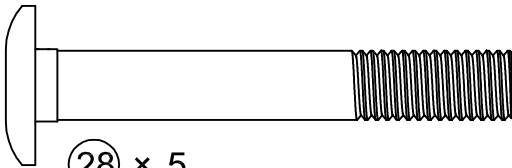
30 × 1



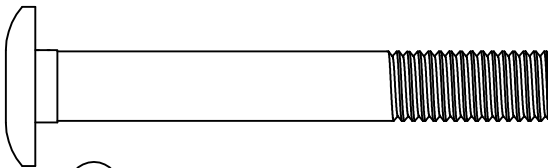
27 × 2



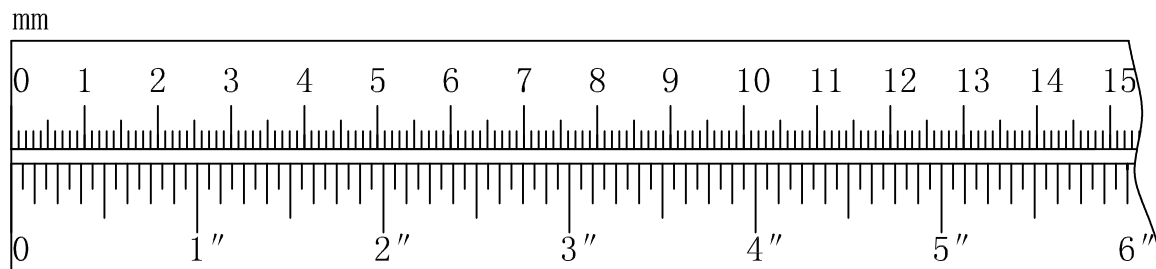
29 × 1

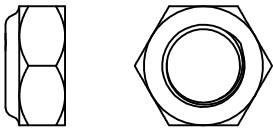


28 × 5

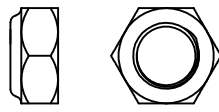


25 × 2

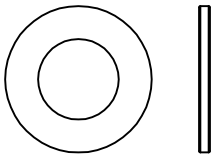




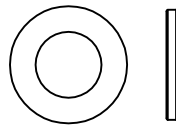
③⑦ × 11



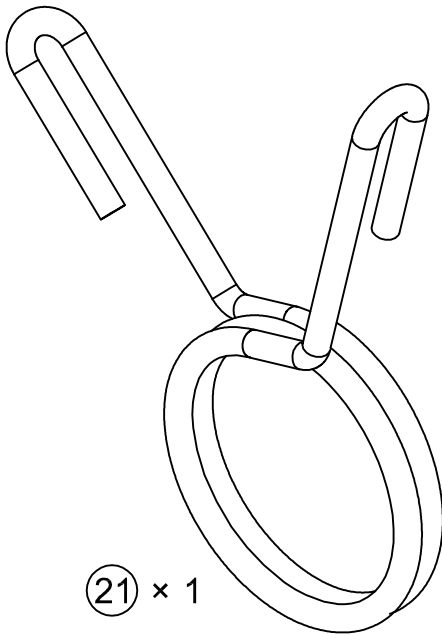
③③ × 2



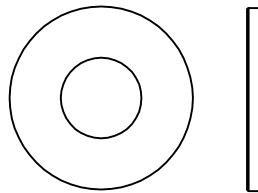
③⑤ × 15



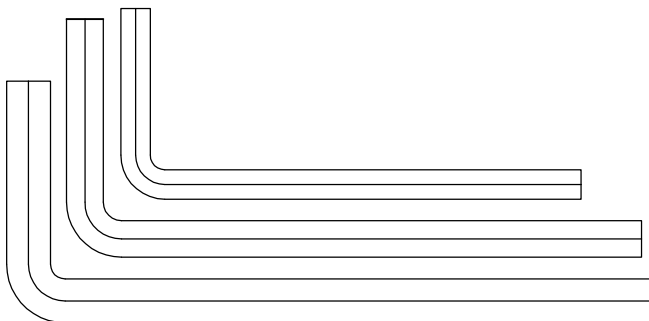
③⑥ × 12



②① × 1



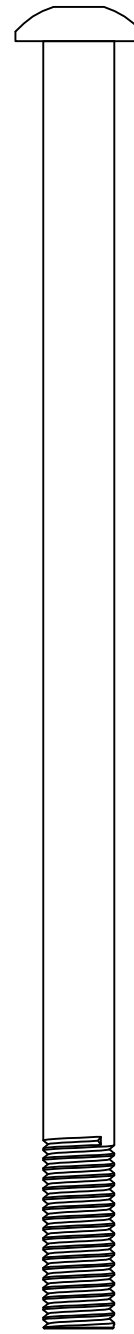
③⑧ × 1



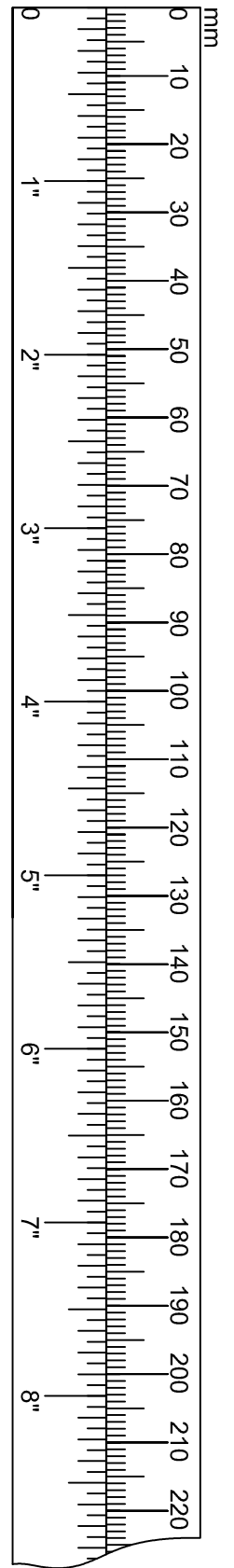
4# × 1

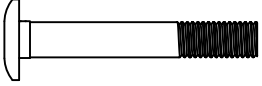
5# × 1

6# × 1



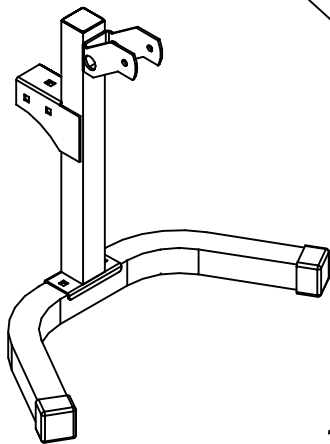
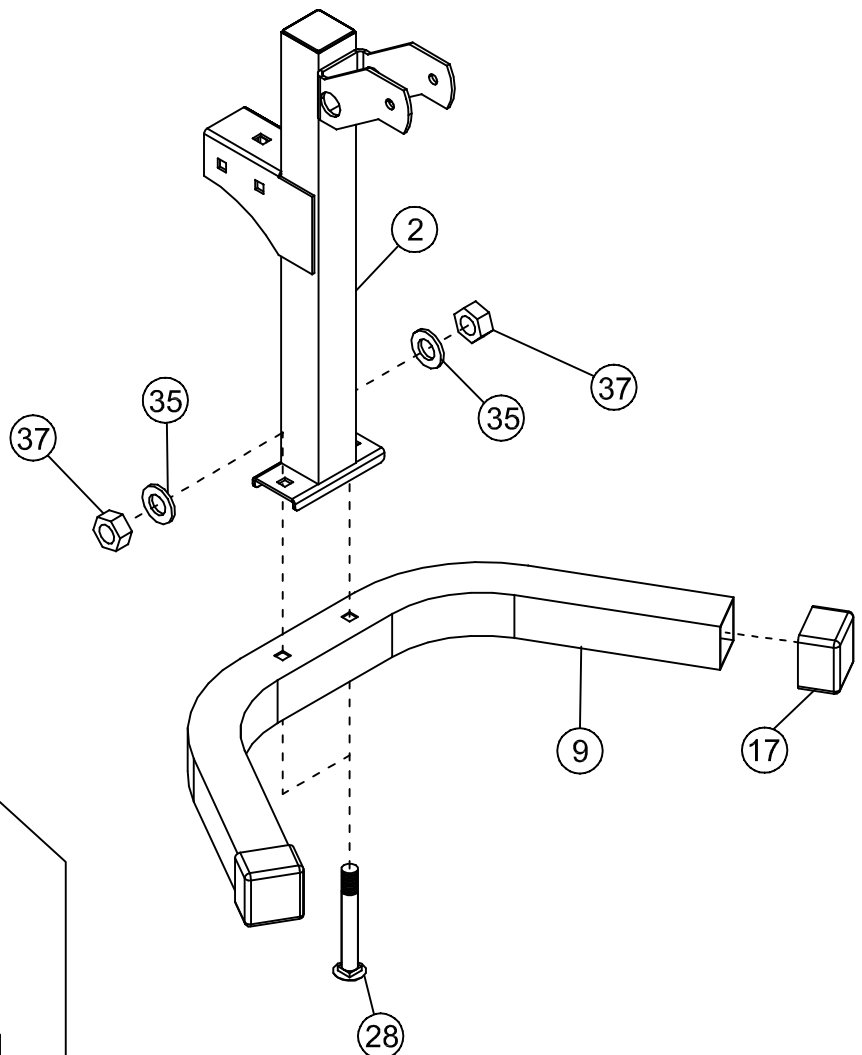
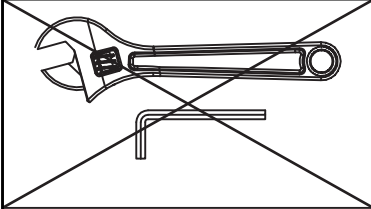
②⑥ × 2



(28)  ×2 M10×2 $\frac{1}{2}$ "

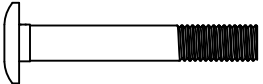
(37)  ×2 M10

(35)  ×2  $\Phi\frac{3}{4}$ "

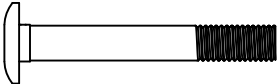


1

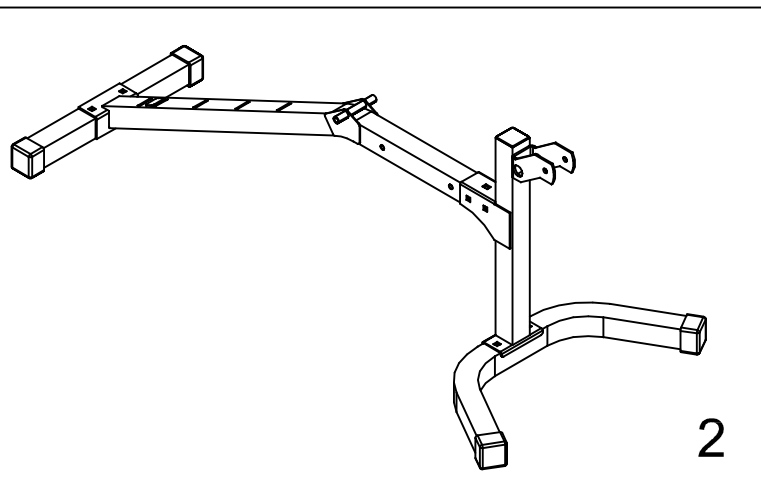
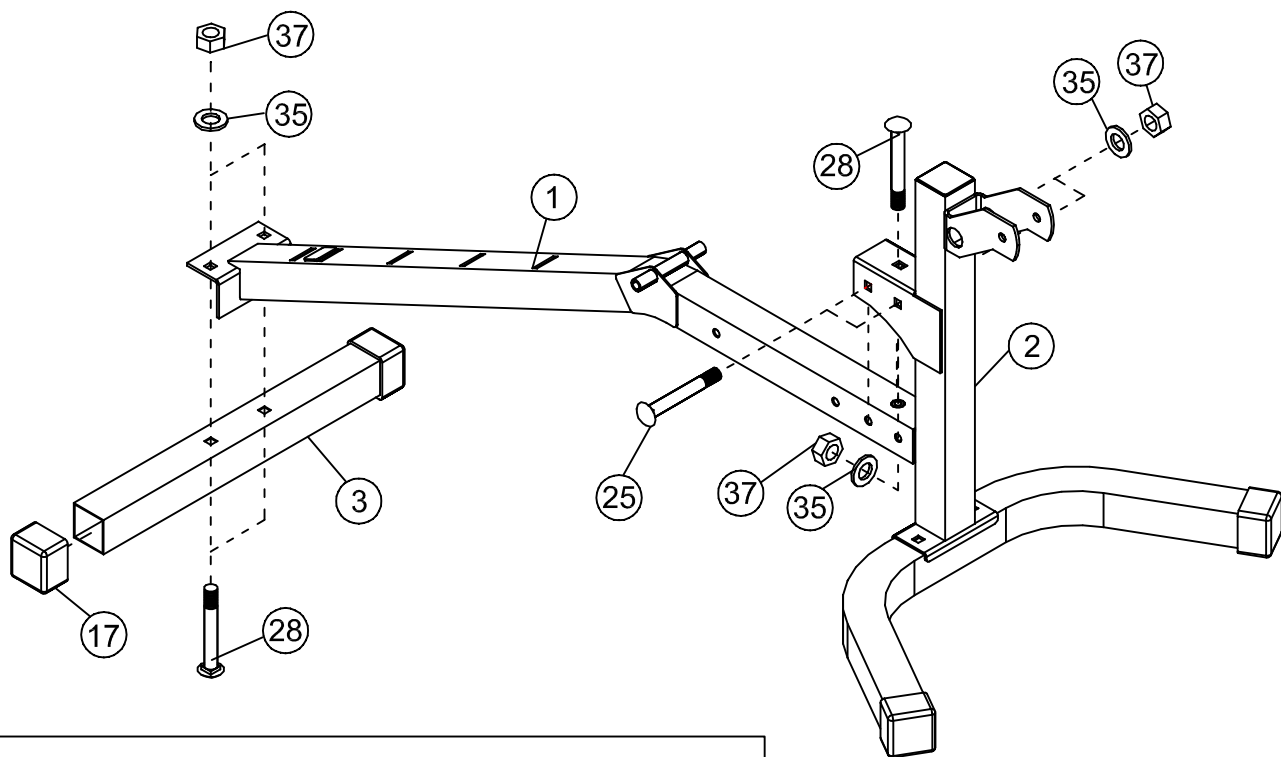
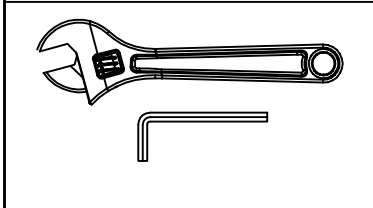


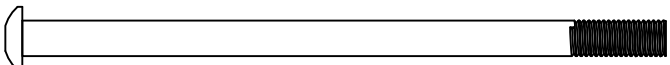
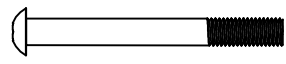




②⑧  ×3 M10×2 $\frac{1}{2}$ "

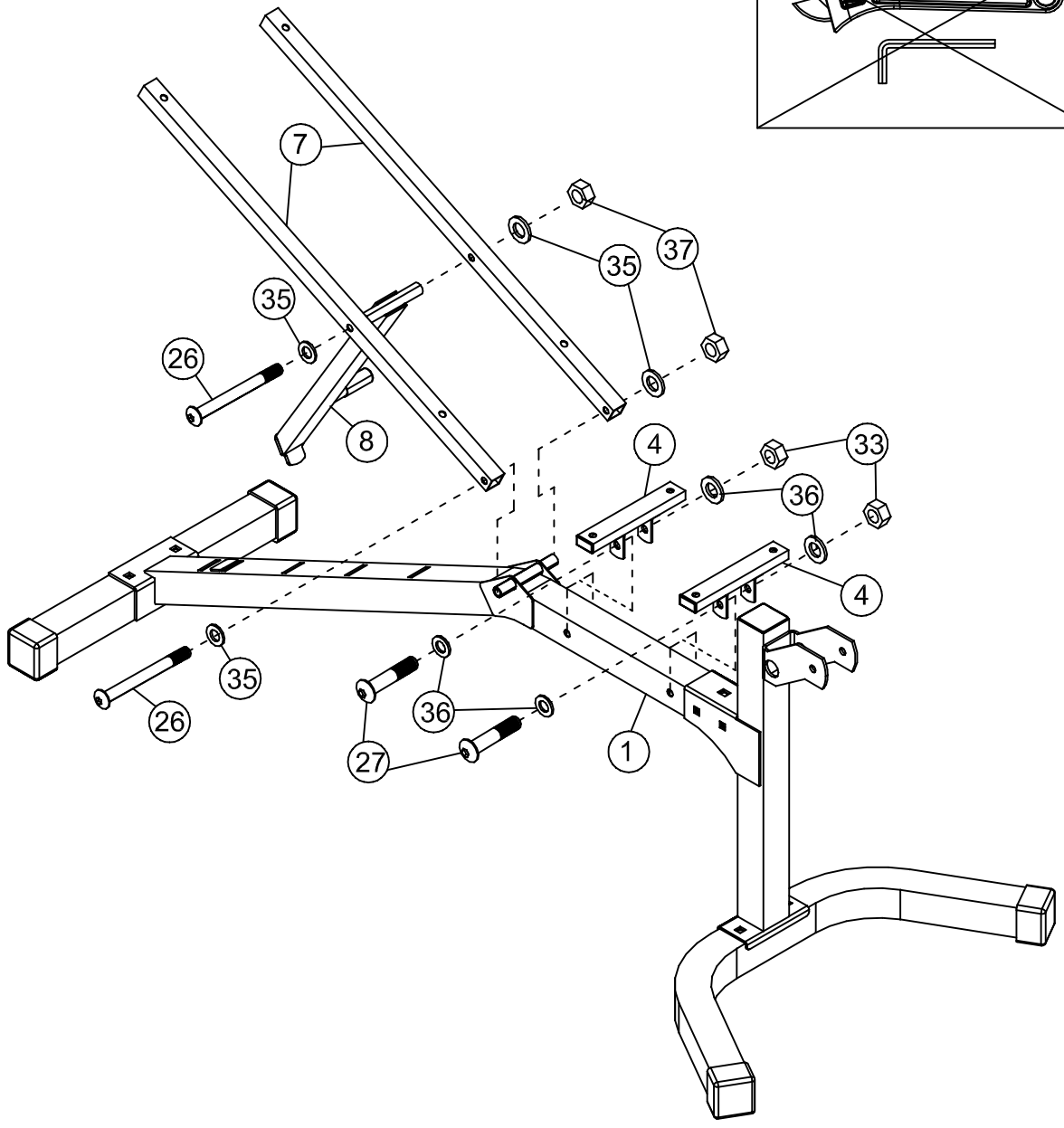
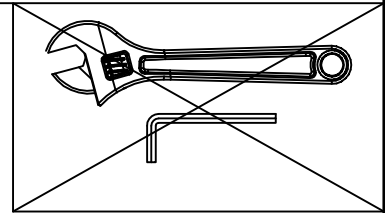
③⑤  ×5  $\Phi\frac{3}{4}$ "

②⑤  ×2 M10×2 $\frac{3}{4}$ "

③⑦  ×5 M10



- 26

×2 M10×6<sup>7</sup>/<sub>8</sub>"
- 27

×2 M8×2<sup>3</sup>/<sub>4</sub>"
- 35

×4 Φ<sup>3</sup>/<sub>4</sub>"
37

×2 M10
- 36

×4 Φ<sup>5</sup>/<sub>8</sub>"
33

×2 M8

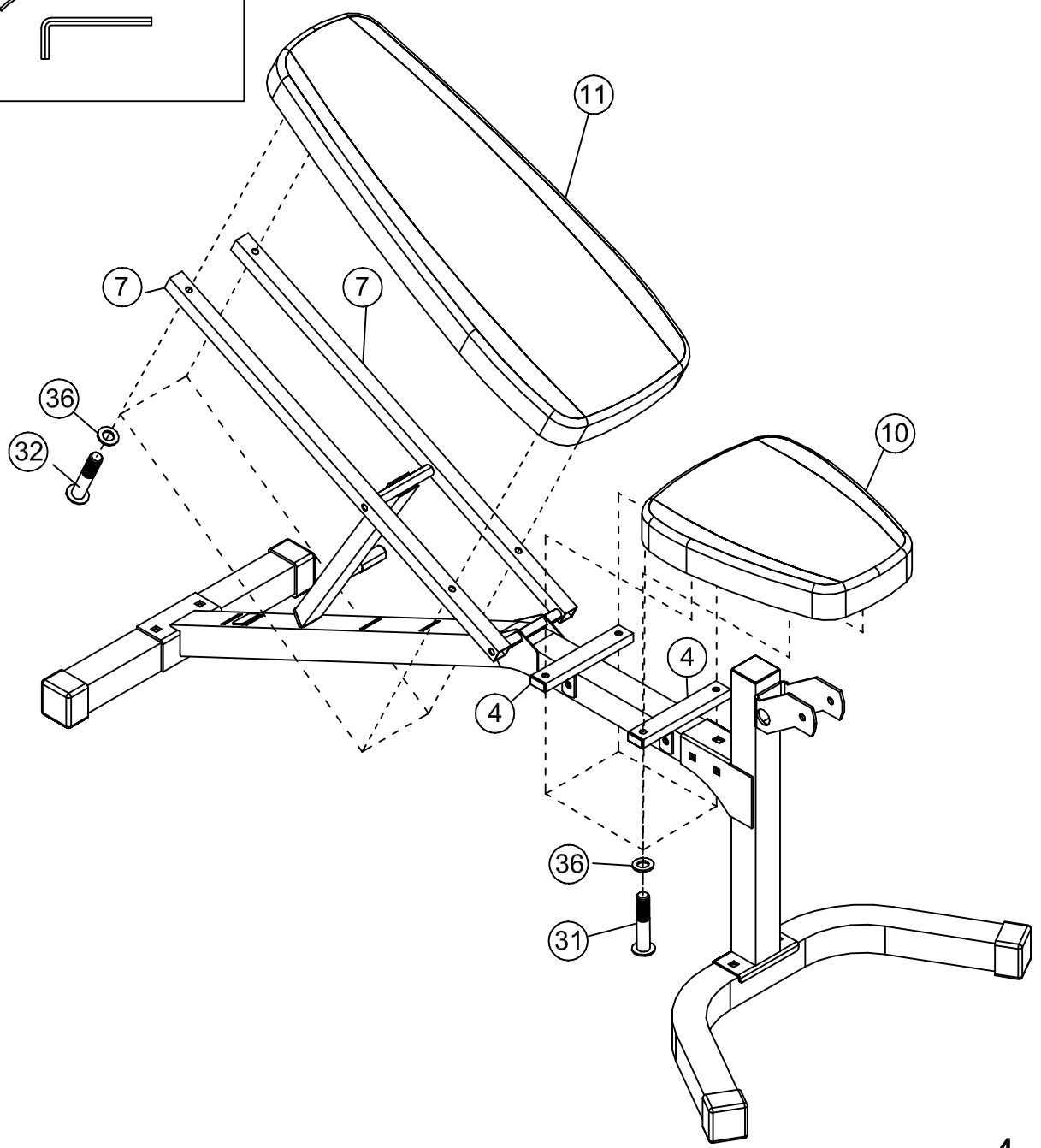
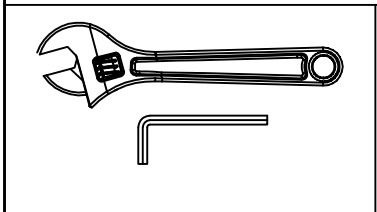


3

③①  ×4 M8×1 $\frac{1}{8}$ "

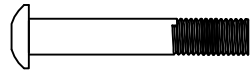
③②  ×4 M8×1 $\frac{5}{8}$ "

③⑥  | ×8  $\Phi\frac{5}{8}$ "

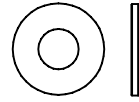


4

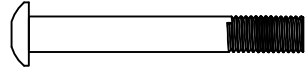
③① ×1 M10×2<sup>3</sup>/<sub>8</sub>"



③⑧ ×1 Φ1"×Φ<sup>3</sup>/<sub>8</sub>"



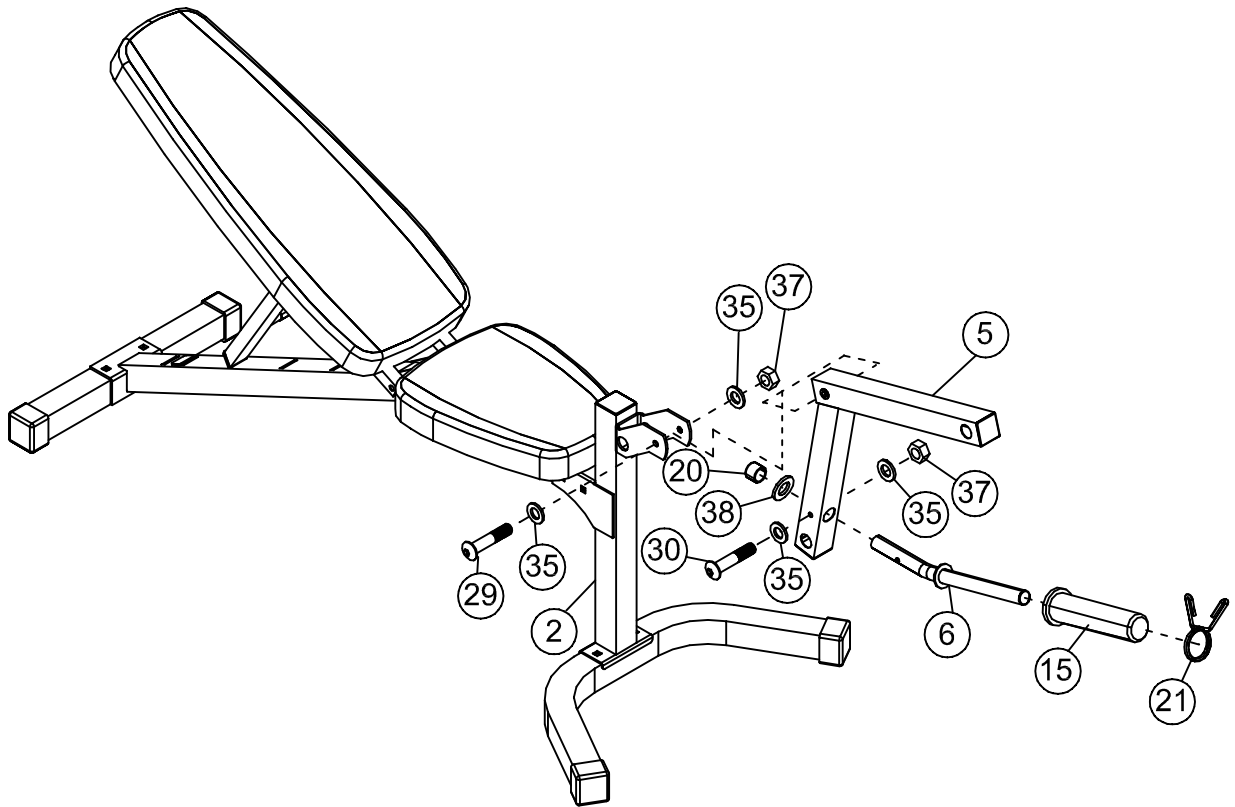
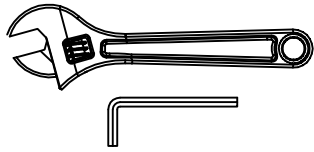
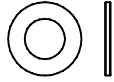
②⑨ ×1 M10×3"

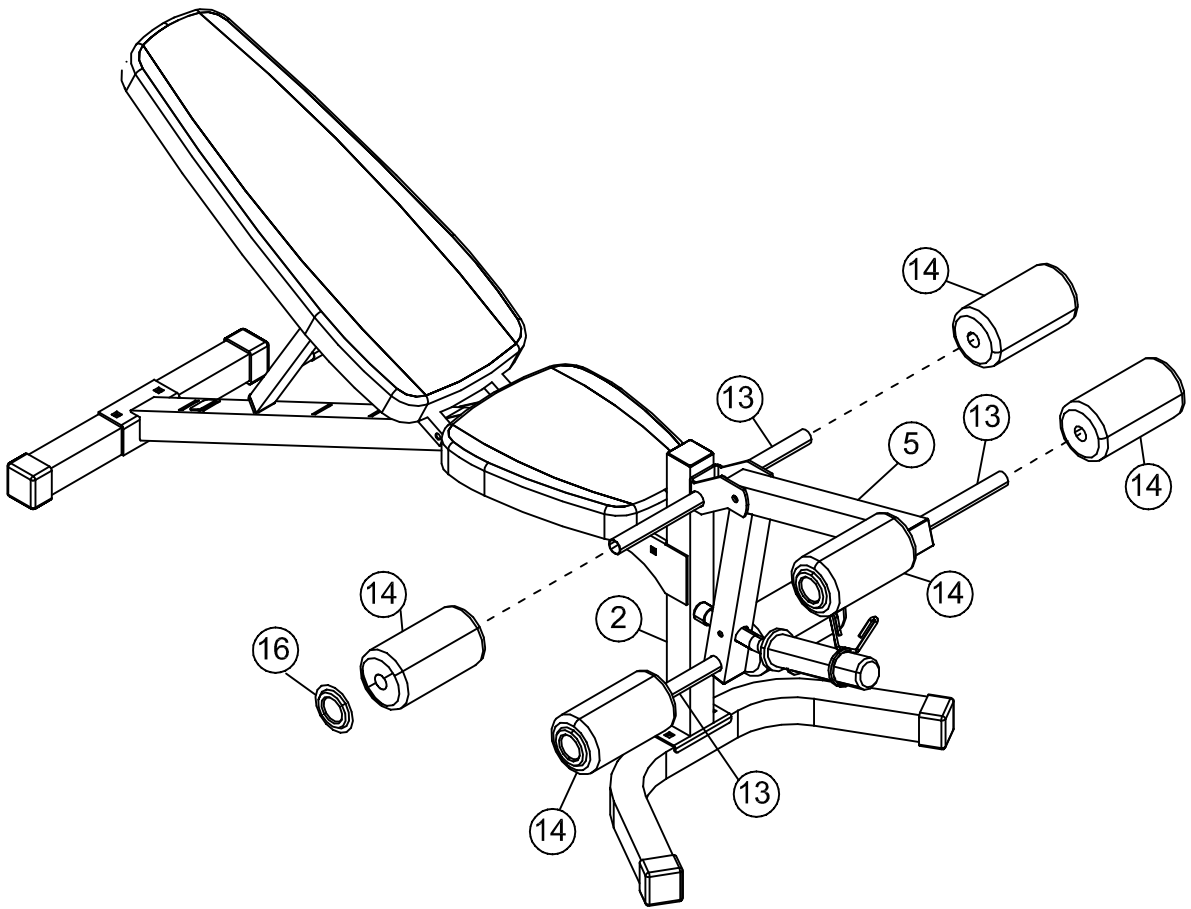


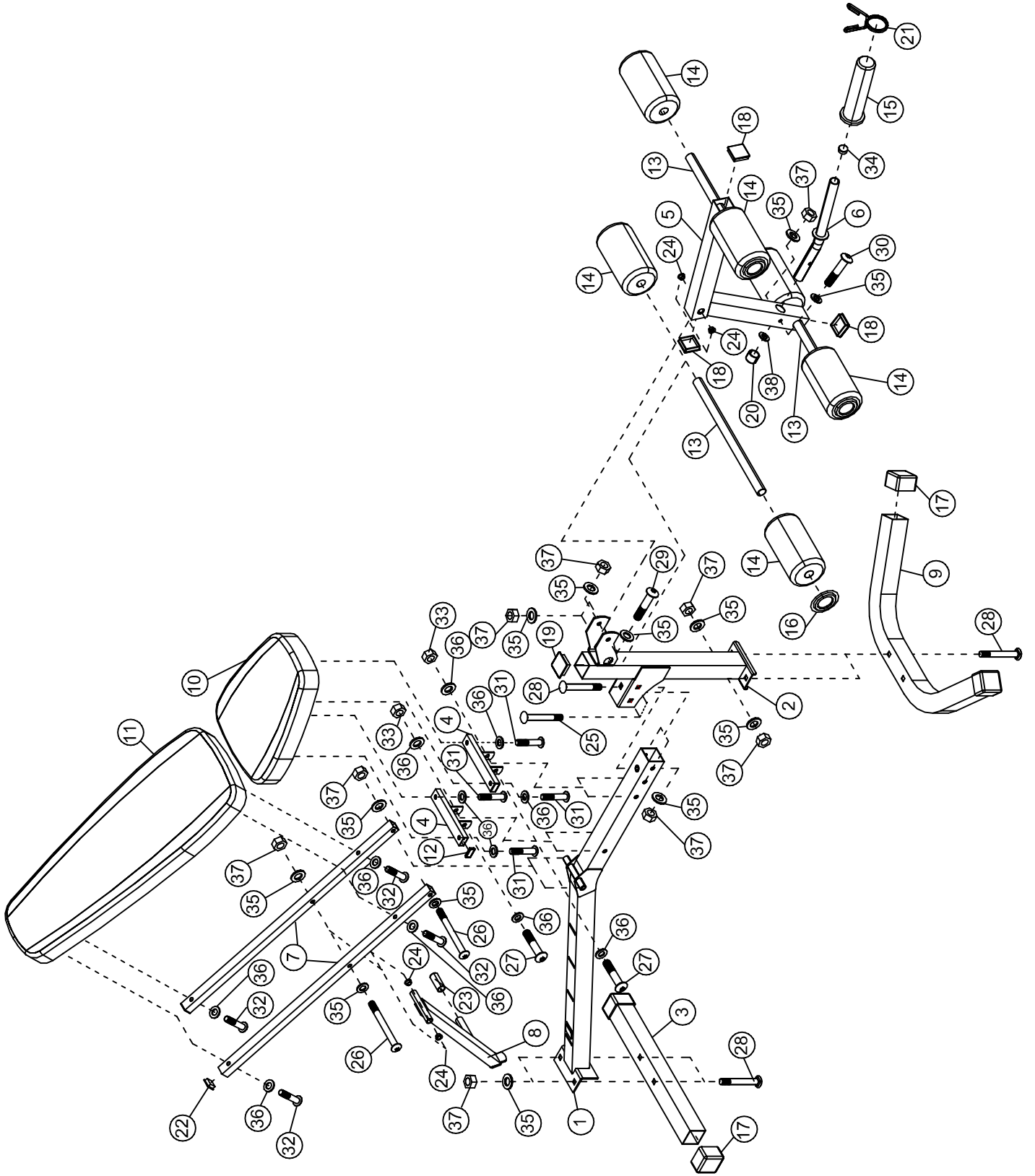
③⑦ ×2 M10



③⑤ ×4 Φ<sup>3</sup>/<sub>4</sub>"







**IMPEX® INC.**

2801 S. Towne Ave. Pomona, CA 91766

Tel: (800) 999-8899

**[www.marcypro.com](http://www.marcypro.com)**

**[support@impex-fitness.com](mailto:support@impex-fitness.com)**